

**Automatic barrier  
GARD series**

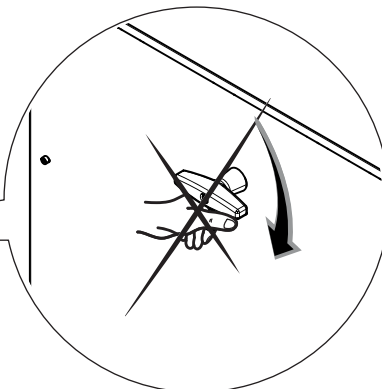
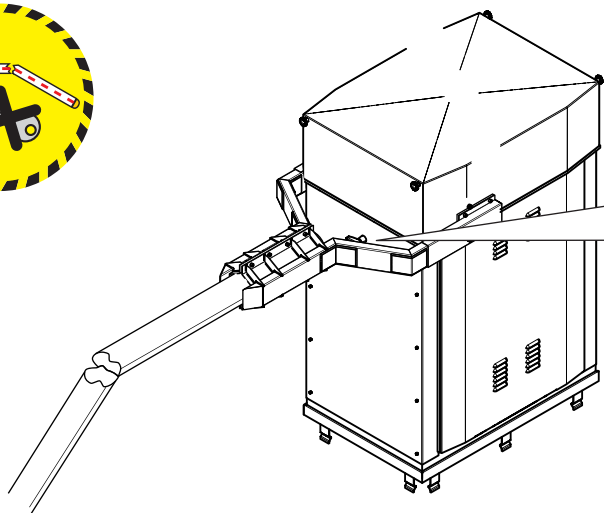
FA01118-EN



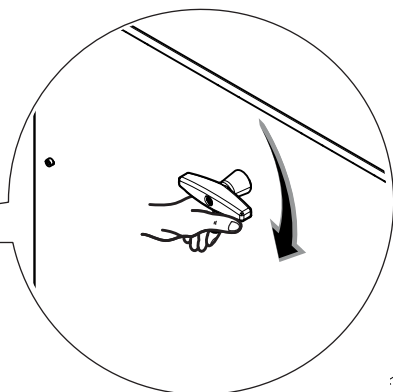
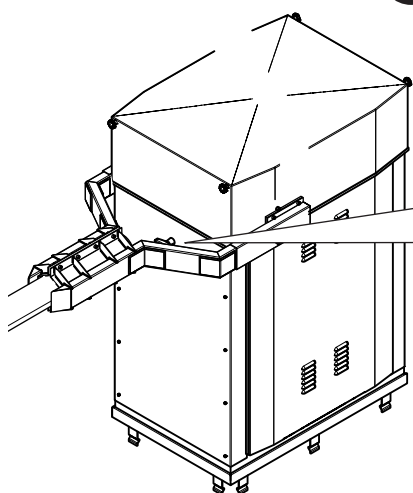
**G12000**

**INSTALLATION MANUAL**

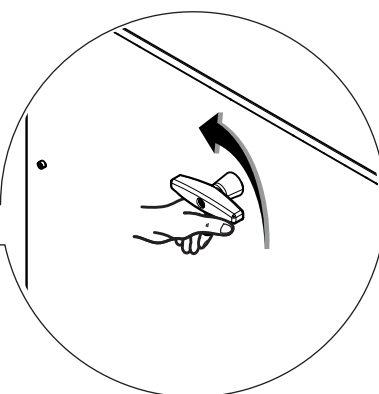
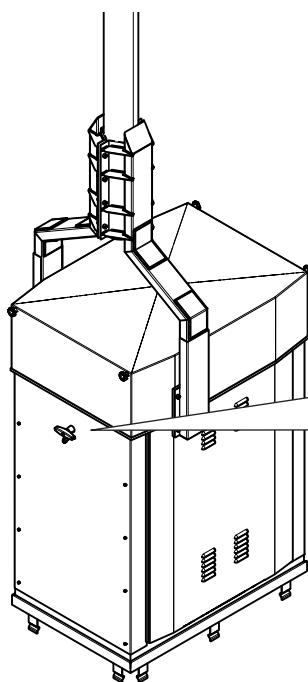
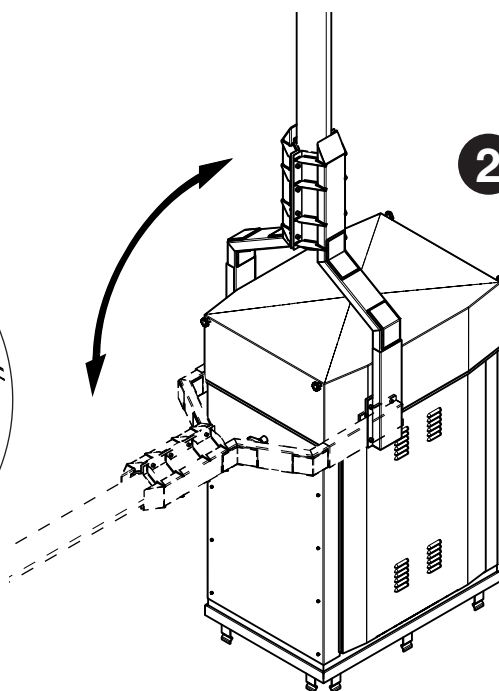
EN English



1



2



## GENERAL PRECAUTIONS FOR INSTALLERS

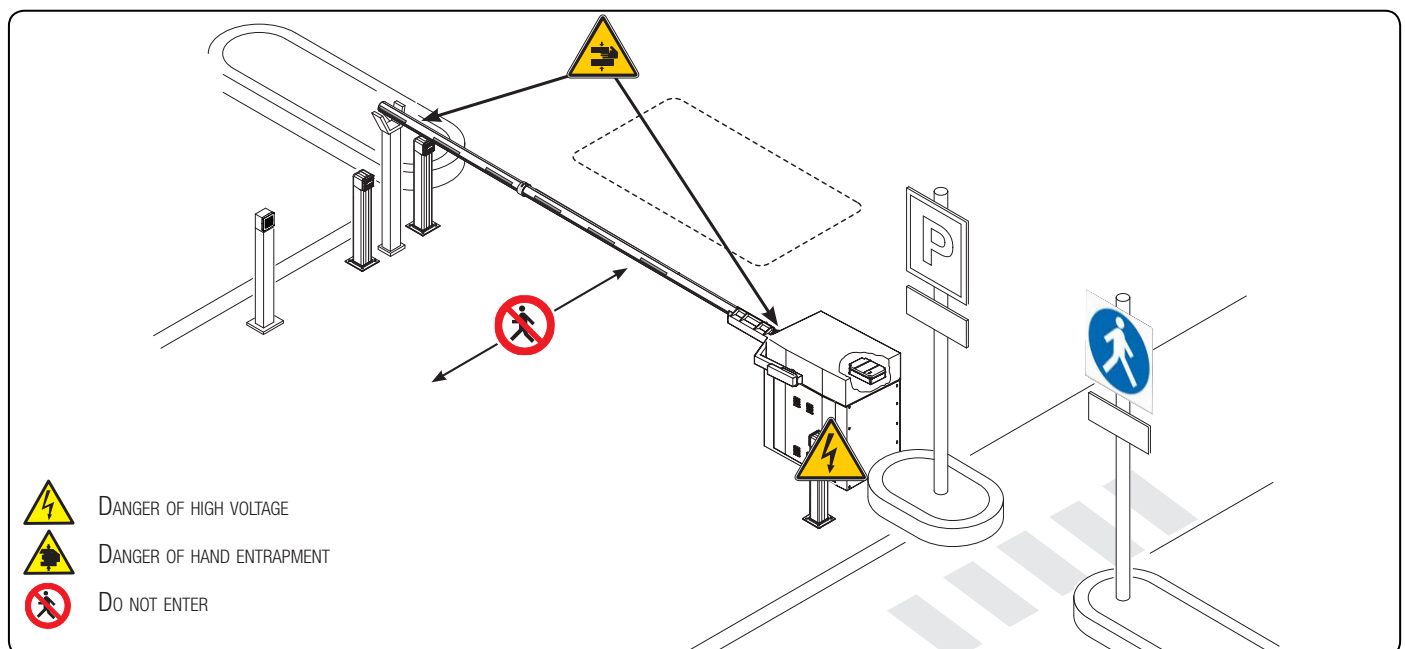
### ⚠ CAUTION! Important safety instructions.

**Follow all of these instructions. Improper installation can cause serious bodily harm.**




**Before continuing, also read the general precautions for users.**

This product must only be used for its specifically intended purpose. Any other use is dangerous. Came S.P.A. is not liable for any damage caused by improper, wrongful and unreasonable use. • This manual's product is defined by machinery directive 2006/42/CE as "partly-completed machinery". Partly-completed machinery is a set that almost constitutes a machine, but which, alone, cannot ensure a clearly defined application. Partly-completed machinery is only destined to be incorporated or assembled to other machinery or other partly-completed machinery or apparatuses to build machinery that is regulated by Directive 2006/42/CE. The finalized installation must comply with European Directive 2006/42/CE and with currently applicable European standards. • Given these considerations, all procedures stated in this manual must be exclusively performed by expert, qualified staff. • Laying the cables, installation and testing must follow state-of-the-art procedures as dictated by regulations • make sure that the opening of the automatic barrier does not constitute a hazard • do not install the operator onto surfaces that could yield and bend. If necessary, add suitable reinforcements to the anchoring points • check that the temperature range appearing on the operator is suited to the place of installation • do not install on slopes, that is, on any surfaces that are not perfectly level • check that no lawn watering devices spray the operator with water from the bottom up • Suitably section off and demarcate the entire installation site to prevent unauthorized persons from entering the area, especially minors and children. • be careful when handling operators that weigh over 20 kg. If need be, use proper safety hoisting equipment • Please use suitable protections to prevent any mechanical hazards when people are moving around the machinery. • Any residual risks must be notified by proper, clearly visible pictograms, which must be explained to end users • Fit, in plain sight, the machine's ID plate when the installation is complete • All command and control devices must be installed at least 1.85 m from the boom's operating perimeter, or, where they are out of reach from outside the barrier • Unless the key-operation is functioning (for e.g. keypad selector, key-switch selector, transponder selector, and so on), any maintained-action control devices must be installed at least 1.5 m from the ground and out of reach from unauthorized users. • The manufacturer declines any liability for using non-original products; which would result in warranty loss • All maintained-action switches must be fitted so as to be clearly visible from the boom's maneuvering area, and yet well away from any moving parts • Affix a permanent tag, that describes how to use the manual release mechanism, close to the mechanism. • Before handing over to users, check that the system is compliant with the 2006/42/CE uniformed Machinery Directive. Make sure the settings on the operator are all suitable and that any safety and protection devices, and also the manual release, work properly. • If the power-supply cable is damaged, it must be immediately replaced by the manufacturer or by an authorized technical assistance center, or in any case, by qualified staff, to prevent any risk • During all phases of the installation make sure you have cut off the mains power source. • The electrical cables must run through the cable glands and must not touch any heated parts, such as the motor, transformer, and so on). • Make sure you have set up a suitable dual pole cut off device along the power supply that is compliant with the installation rules. It should completely cut off the power supply according to category III surcharge conditions. • When the passage width clearance is greater than 3 m, you must use a fixed rest for the boom to support it • If the barrier is for both pedestrians and vehicles, you must check that it is collision force compliant pursuant to standards EN12453 and EN12445 • If the barrier is only for vehicles, you must set up a suitable pedestrian passage near the vehicle entry, and post suitable signage that prohibit transit of pedestrians and bicycles through the opening • Keep the section of this manual inside the technical folder along with the manuals of all the other devices used for your automation system. Remember to hand over to the end users all the operating manuals of the products that make up the final machinery.

- The figure shows which points constitute a potential hazard to people -



## KEY

-  This symbol shows which parts to read carefully.
-  This symbol shows which parts describe safety issues
-  This symbol shows which parts to tell users about.

The measurements, unless otherwise stated, are in millimeters.

## DESCRIPTION

Barrier made of galvanized varnished steel, with control panel.

## INTENDED USE

This automatic barrier is designed for special or very large passages.

 Do not install or use this device in any way, except as specified in this manual.

## OPERATING LIMITS

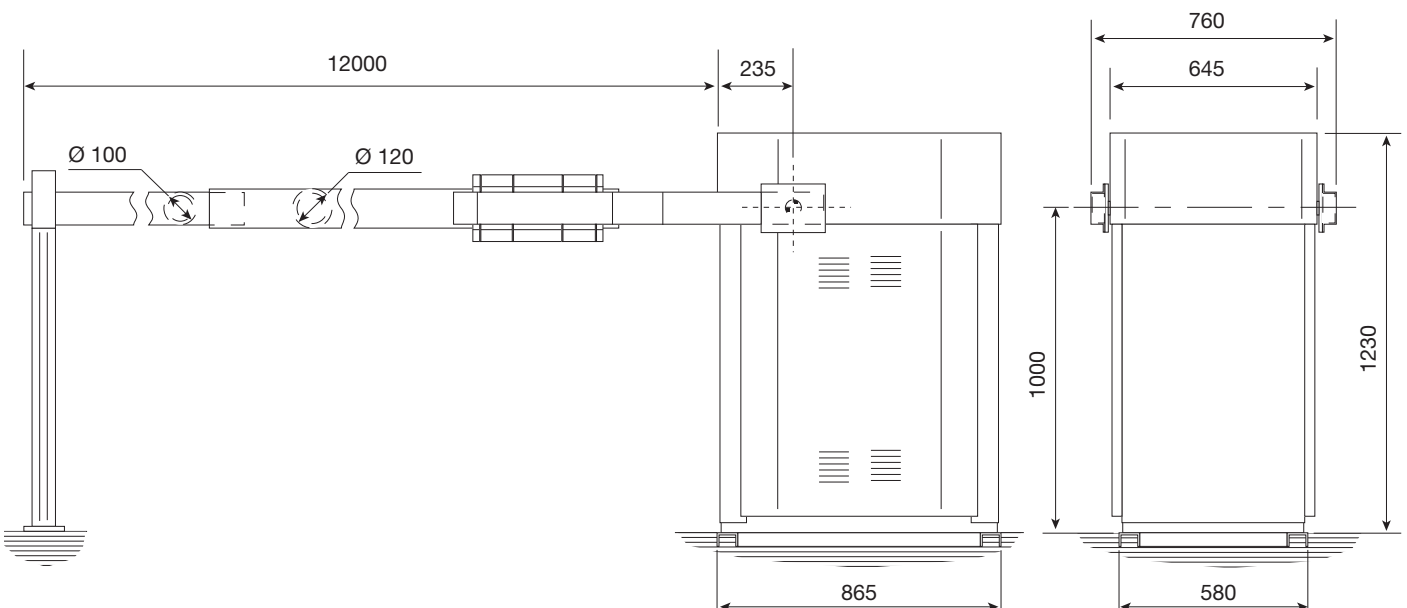
Model	G12000K / G12010K
Maximum clearance width of the passage (m)	12

## TECHNICAL DATA

Model	G12000K
Protection rating (IP)	54
Power supply (V - 50/60 Hz)	230 AC
Input voltage motor (V)	24 DC
Max draw (A)	15
Power (W)	300
Torque (Nm)	600
Opening time (s)	10
Intermittence/duty-cycle (%)	50
Operating temperature (°C)	-20 to +55
Reduction ratio (i)	1/202
Apparatus class	I
Weight (Kg)	*

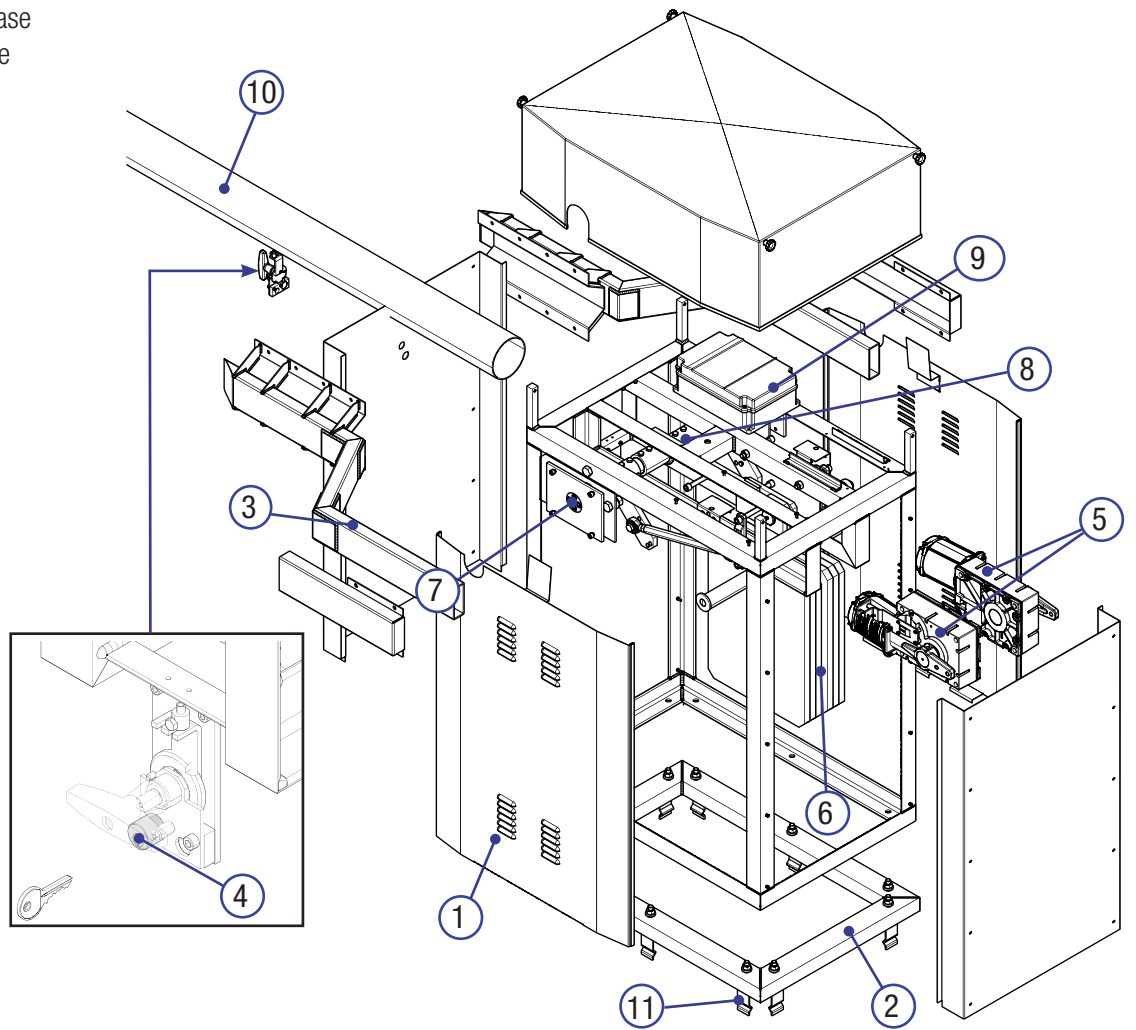
\* Cabinet= 250 Kg; Counterweight plates = 500 Kg.

## DIMENSIONS

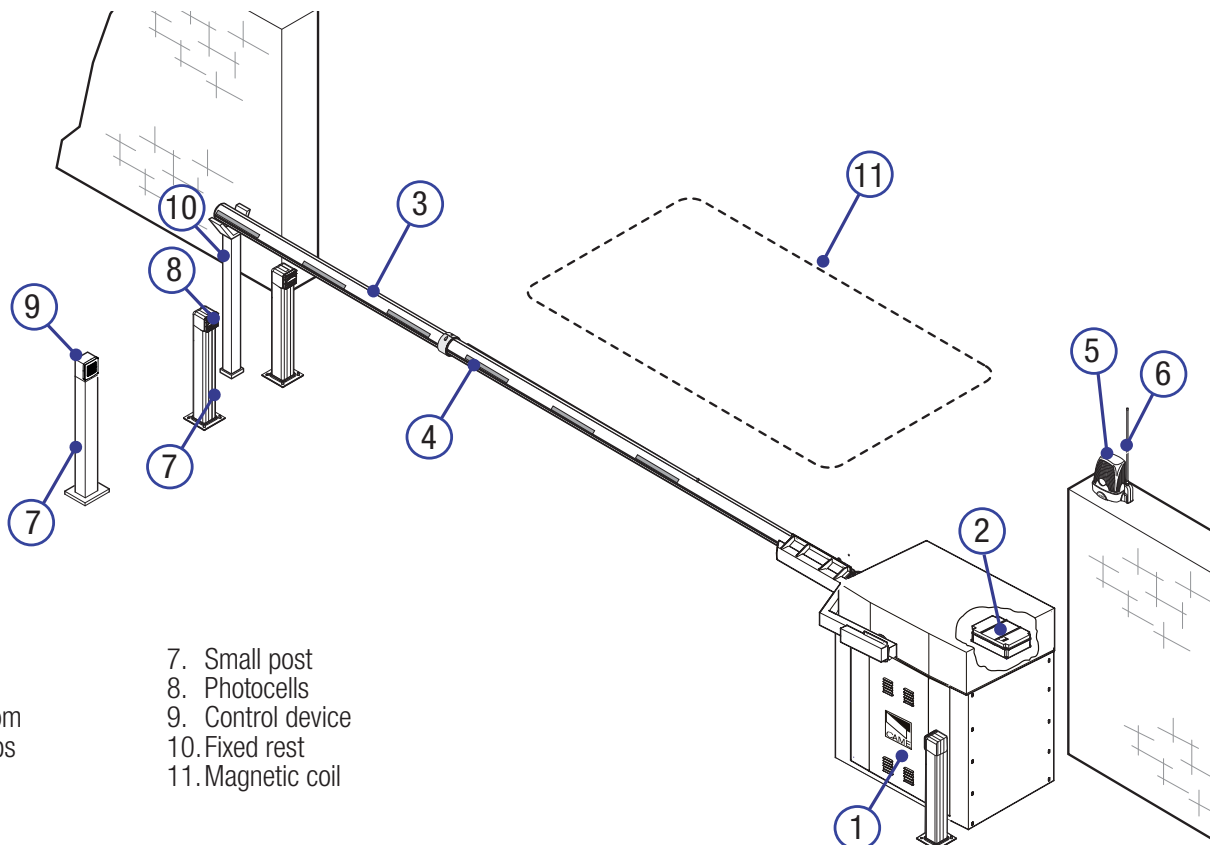


## DESCRIPTION OF PARTS

1. Cabinet
2. Fastening counter base
3. Boom-latching flange
4. Release lock
5. Gear motor
6. Counterweights
7. Drive arm
8. Transmission gears
9. Control panel
10. Boom
11. Anchoring braces



## STANDARD INSTALLATION



1. Barrier
2. Control panel
3. Aluminum boom
4. Reflective strips
5. Flashing light
6. Antenna
7. Small post
8. Photocells
9. Control device
10. Fixed rest
11. Magnetic coil

## GENERAL INSTALLATION INDICATIONS

△ Only skilled, qualified staff must install this product.

### PRELIMINARY CHECKS

△ Before beginning, do the following:

- make sure the plate is anchored to a solid spot;
- check that there are no obstructions or impediments near the cabinet; • set up suitable tubes and conduits for the electric cables to pass through, making sure they are protected from any mechanical damage.

### CABLE TYPES AND MINIMUM THICKNESSES

Connection	Cable length	
	< 20 m	20 < 30 m
Input voltage for 230 V AC control board (1P+N+PE)	3G x 1.5 mm <sup>2</sup>	3G x 2.5 mm <sup>2</sup>
Command and control devices	2 x 0.5 mm <sup>2</sup>	
Signaling devices	2 x 0.5 mm <sup>2</sup>	
TX Photocells	2 x 0.5 mm <sup>2</sup>	
RX photocells	4 x 0.5 mm <sup>2</sup>	

△ When operating at 230 V and outdoors, use H05RN-F-type cables that are 60245 IEC 57 (IEC) compliant; whereas indoors, use H05VV-F-type cables that are 60227 IEC 53 (IEC) compliant. For power supplies up to 48 V, you can use FROR 20-22 II-type cables that comply with EN 50267-2-1 (CEI).

📖 To connect the antenna, use the RG58 (we suggest up to 5 m).

📖 If cable lengths differ from those specified in the table, establish the cable sections depending on the actual power draw of the connected devices and according to the provisions of regulation CEI EN 60204-1.

📖 For multiple, sequential loads along the same line, the dimensions on the table need to be recalculated according to the actual power draw and distances. For connecting products that are not contemplated in this manual, see the literature accompanying said products

## INSTALLING

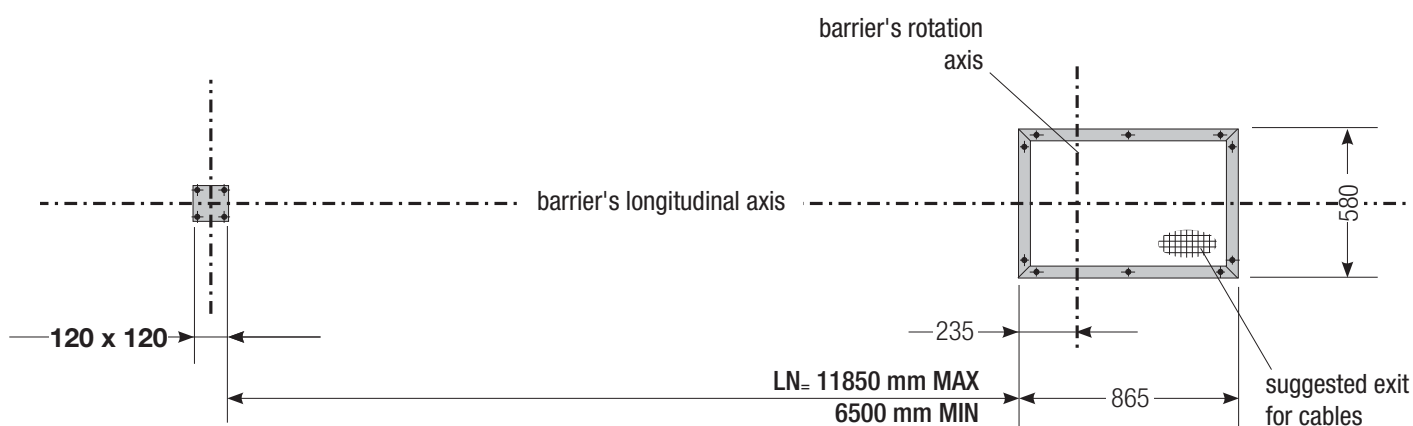
△ The following illustrations are mere examples. Consider that the space available where to fit the barrier and accessories will vary depending on the area where it is installed. It is up to the installer to find the most suitable solution.

△ Caution! Warning! Use hoisting equipment to transport and position the barrier.

During the set up and installing stages the barrier could be unstable and tip over. So, be careful to not lean on it until it is completely fastened.


### PREPARING THE FASTENING PLATE.

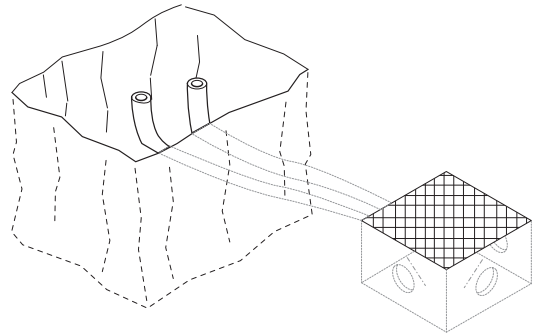
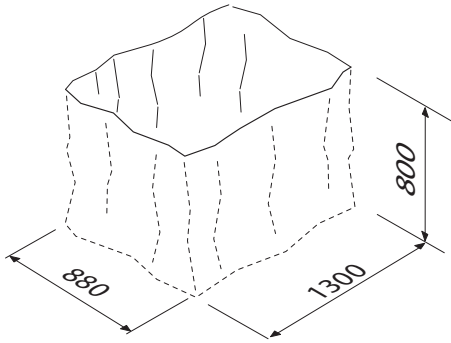
△ If the flooring does not allow for a sturdy anchoring of the cabinet, you will have to lay a cement slab.



Dig a hole for the foundation frame.

Set up the corrugated tubes needed for the wiring coming out of the junction pit.

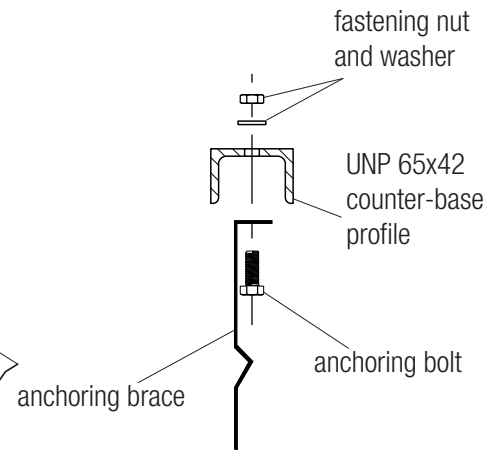
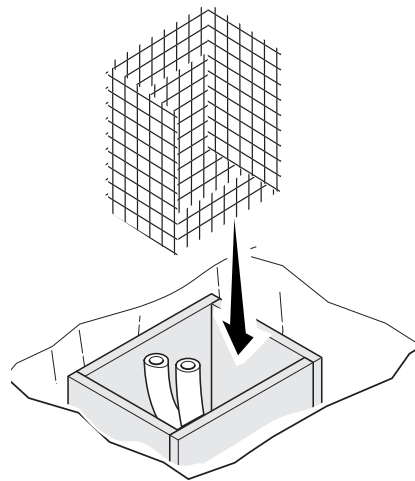
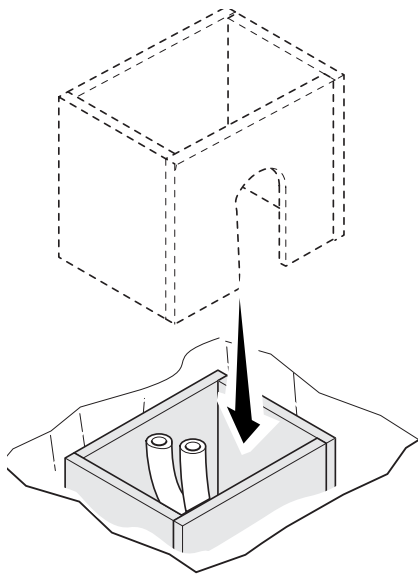
 The number of tubes depends on the type of system and the accessories you are going to fit.



Set up a foundation frame that is larger than the anchoring plate and sink it into the dug hole.

Fit an iron cage into the foundation frame to reinforce the concrete.

Assemble the anchoring braces to the fastening brace.

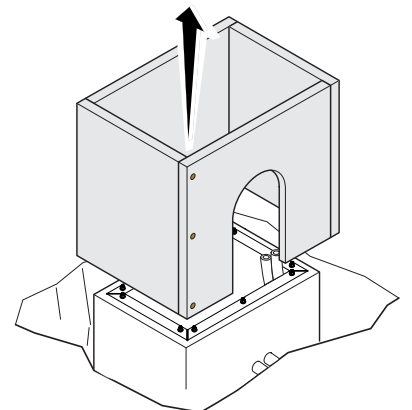
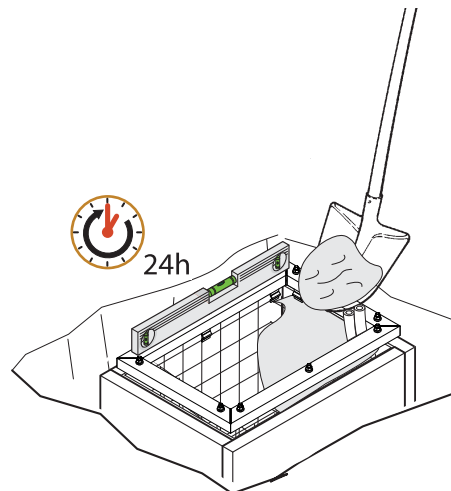
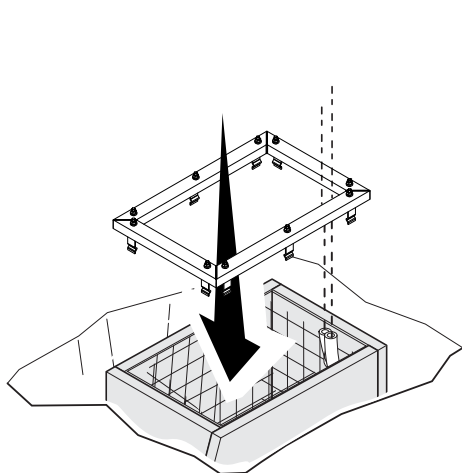


Place the plate over the iron cage.

Fill the foundation frame with concrete. The base must be perfectly level with the bolts which are entirely above surface.

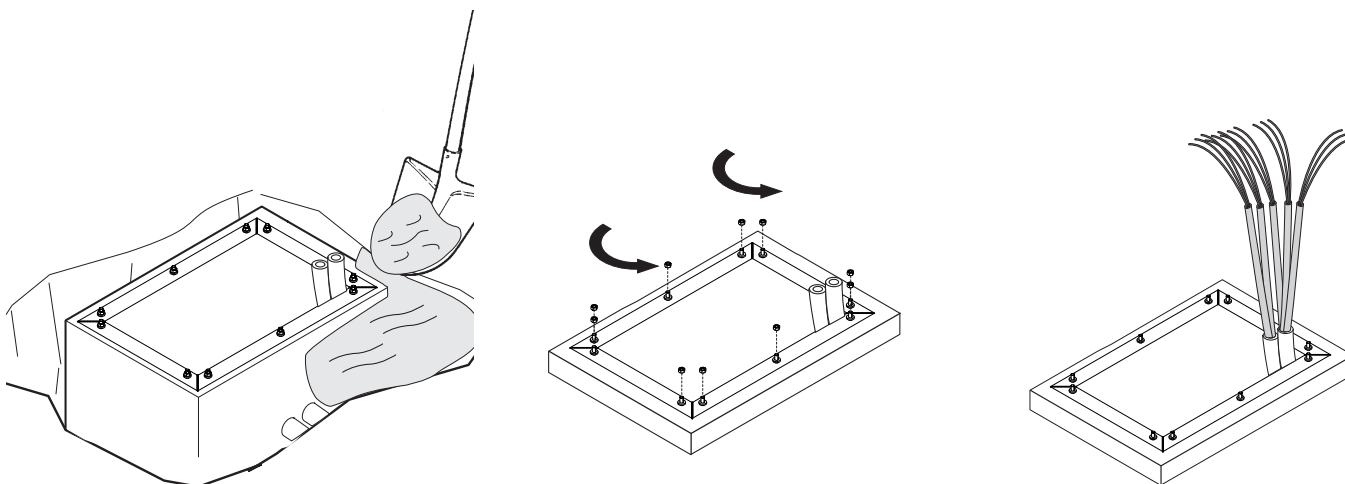
Wait at least 24 hrs for the concrete to solidify.

Remove the foundation frame.



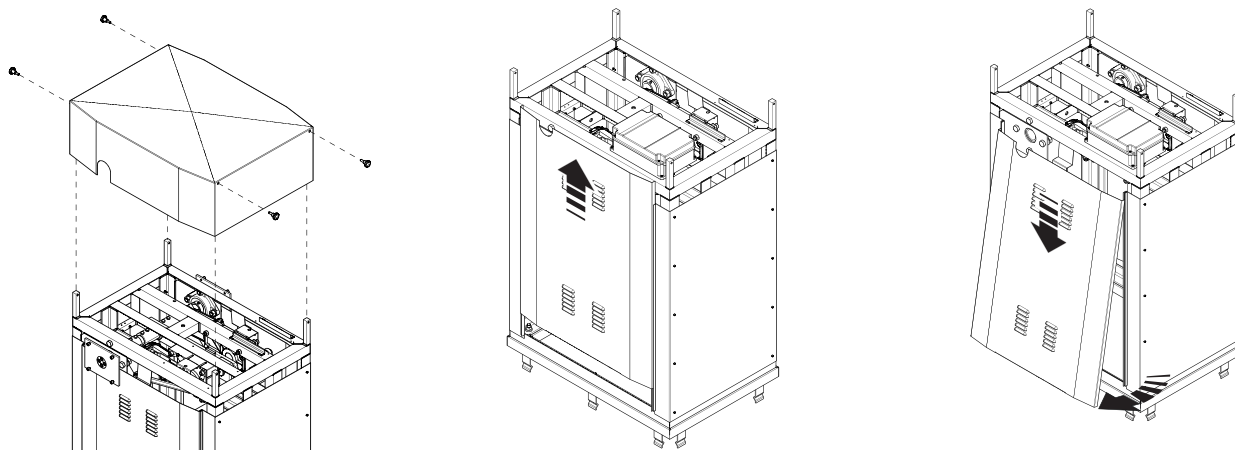



Fill the hole with earth around the concrete block.  
 Remove the nut and washer from the bolts  
 Run the electrical cables into the tubes until they exit by about 1,500 mm.

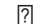


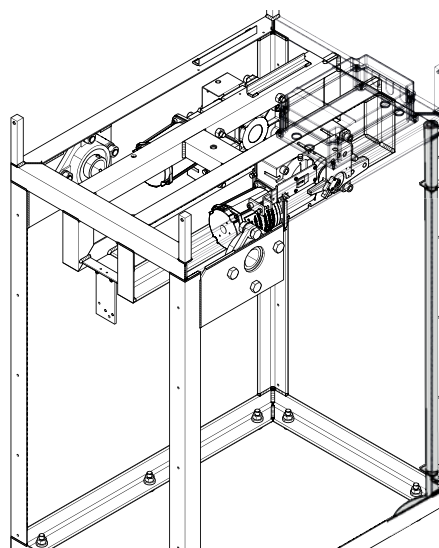
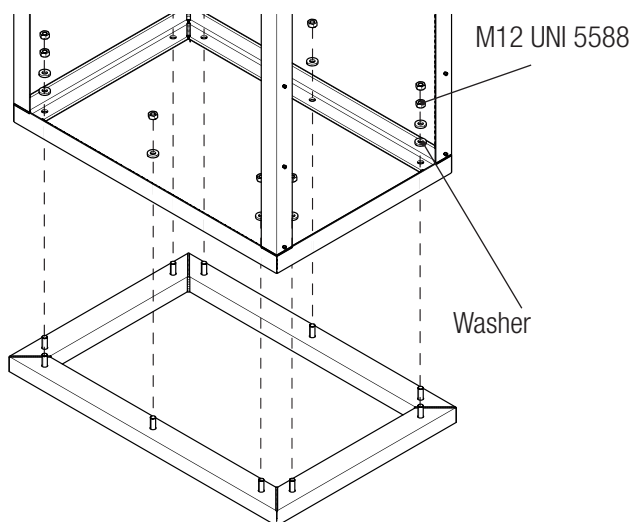
## PREPARING THE BARRIER

Loosen the screws on the cover, and remove it.  
 Take hold of the side, lift it a few centimeters and then slide it out by holding it from beneath.



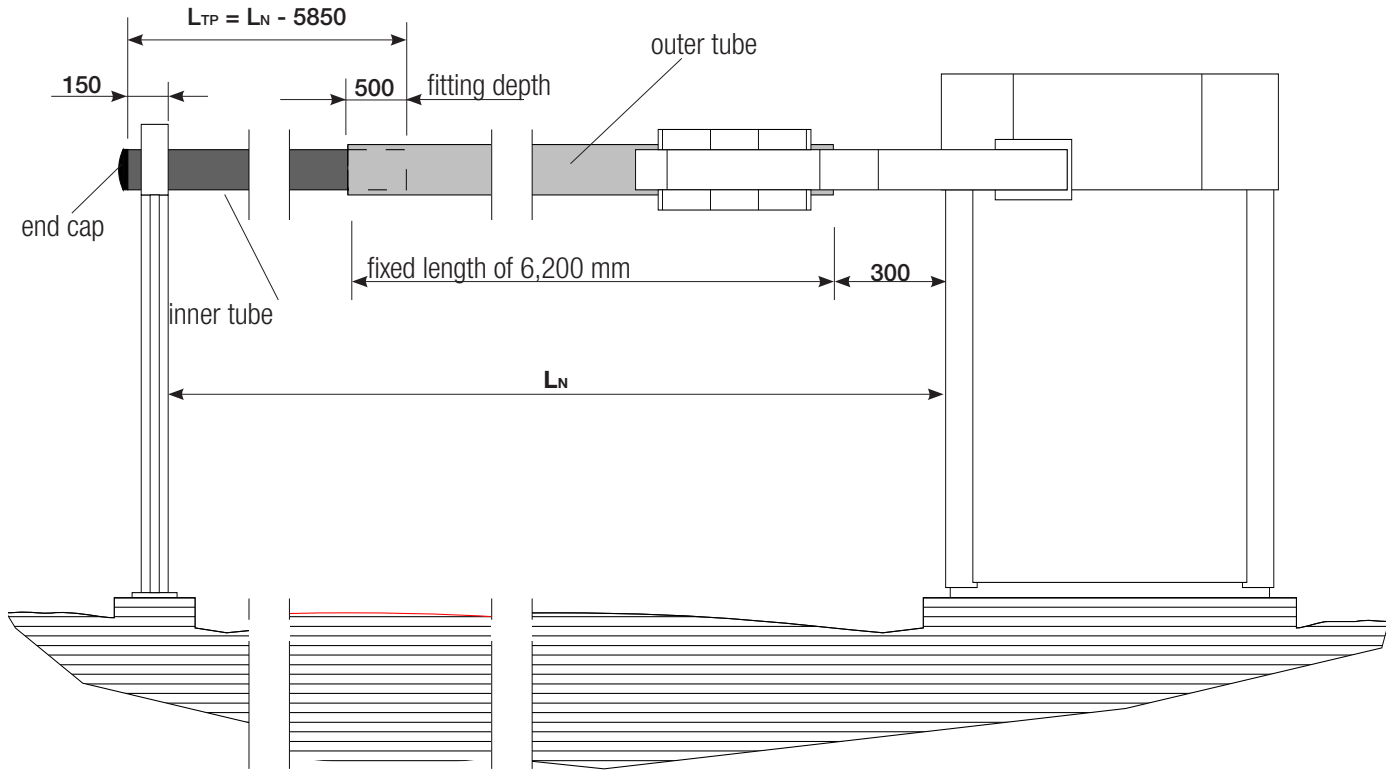
 The cabinet should be installed with the inspection hatch on the most accessible side to make any adjusting easier.  
 Place the cabinet onto the anchoring plate and fasten it using nuts and washers.

 the electrical cables need to run through the cabinet structure, along the corresponding ducts (see the drawing). They must be fastened and not touch any parts that heat up during operation, such as the transformer, motor, and so on.

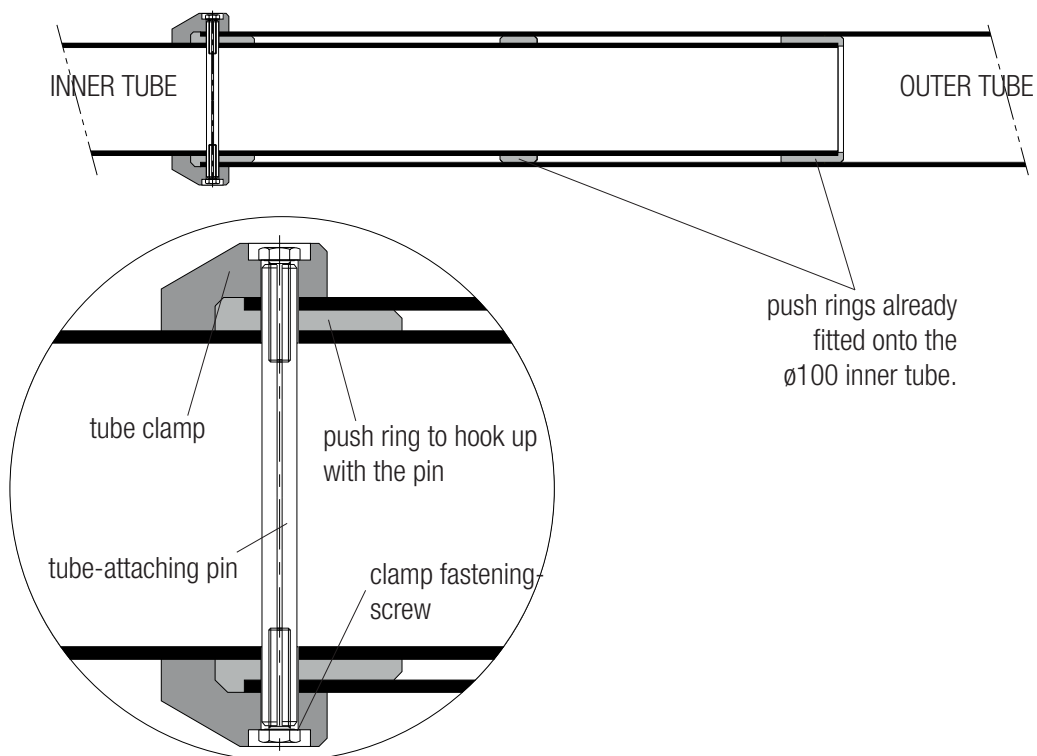




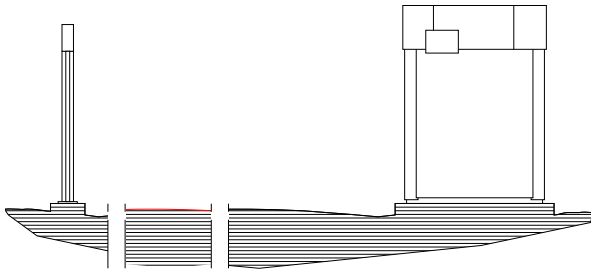
Establish the LTP DISTANCE of the  $\varnothing 100$  mm inner-tube by applying the given formula, then cut and measure and fit the end cap.



Assemble the boom by fitting the inner tube into the  $\varnothing 120$  mm outer tube the assembled boom measures 6200 mm, and fit the centering pin; then mount and fasten the two clamps;

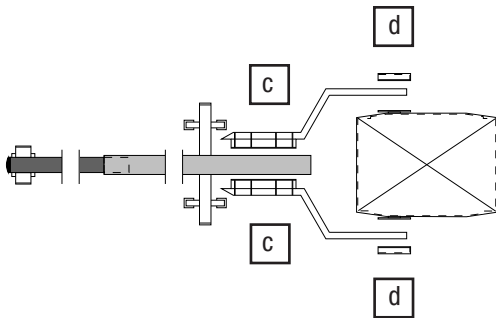


a) Position and fasten the barrier's fixed rest; it should be perfectly aligned lengthwise with the cabinet.

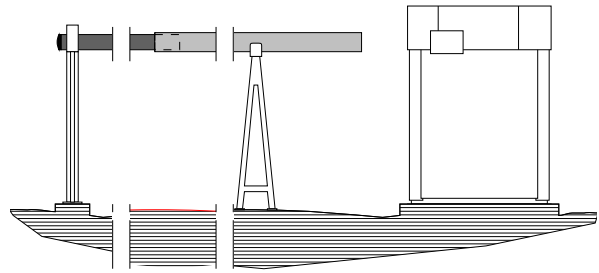


b) Mount the fork while joining the two tube clamps to the boom, leave the nuts loose.

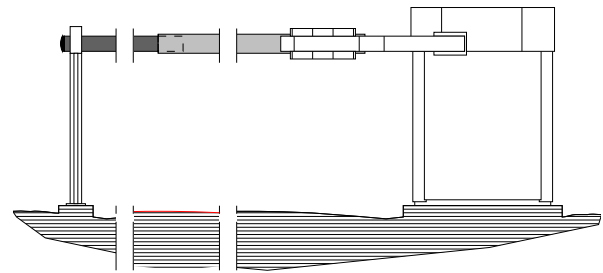
c) Then fasten the boom the rotating shaft's end plates; leave the nuts loose.



d) Use a sawhorse and the fixed rest to position the barrier along its operating axis.



e) Check and adjust any imperfections, then tighten all the nuts definitively.



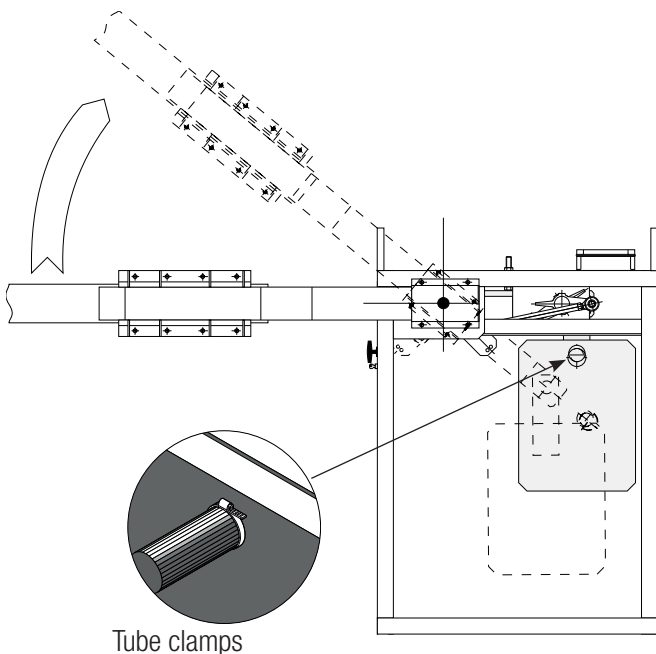
## BALANCING THE BOOM

Mount the handle and release the gearmotors, after having turned the safety key;

Fit the counterweight plates onto the harness, alternating to the right and left, until the boom starts to rise.

☑ If some counterweight plates are left unused, use tube fasteners to fasten them to avoid them falling out during the barrier's movement. Perfectly balance the barrier, manually, at a 45° angle. The boom should remain still at that angle.

\* You may have to cut one of the plates to perfectly balance the barrier.



Net clearance (m)	No. of counterweights
11.83	20
11.5	19
11	18
10.5	17-16
10	16÷15
9.5	15÷14
9	14÷13
8.5	14÷12
8	13÷11
7.5	12÷10
7	11÷9

The number of counterweights varies depending on the whether the end of the boom is 6,200 mm long, or if a joint is fitted in the middle of the boom's TOTAL length.

## CONTROL PANEL

⚠ Caution! Before working on the control panel, cut off the mains power supply and remove any batteries.

Power supply to the control panel and control devices: 24 V AC/DC.

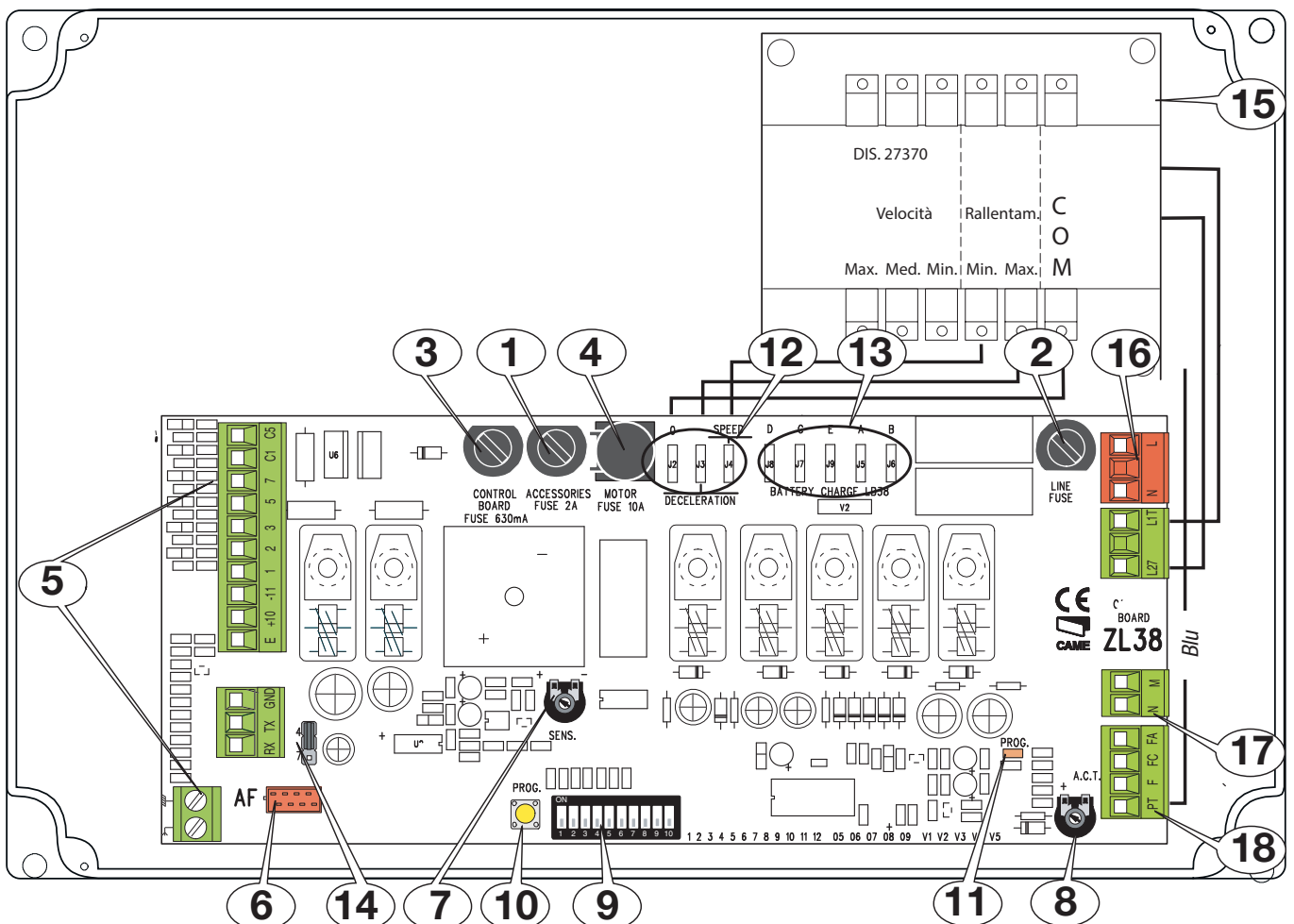
Use DIP switches to set functions and the trimmer for adjustments.

All wiring connections are quick-fuse protected.

FUSE TABLE	ZL38
LINE - Line	3.15 A-F
C.BOARD - Card	630 mA-F
MOTOR - Gear motor	10 A-F
ACCESSORIES - Accessories	2 A-F

## DESCRIPTION OF PARTS

- |   |  |
|---|--|
| 1. Accessories fuse                         | 10. Programming button                       |
| 2. Line fuse                                | 11. Programming warning LED                  |
| 3. Control-board fuse                       | 12. Speed and slow-down adjusting connectors |
| 4. Motor fuse                               | 13. Battery charger (LB38) connectors        |
| 5. Terminals for control and safety devices | 14. Command type selection jumper            |
| 6. AF card slot                             | 15. Transformer                              |
| 7. SENS trimmer                             | 16. Power supply terminals                   |
| 8. ACT Trimmer                              | 17. Gear motor terminals                     |
| 9. DIP-SWITCH                               | 18. Limit-switch terminals                   |

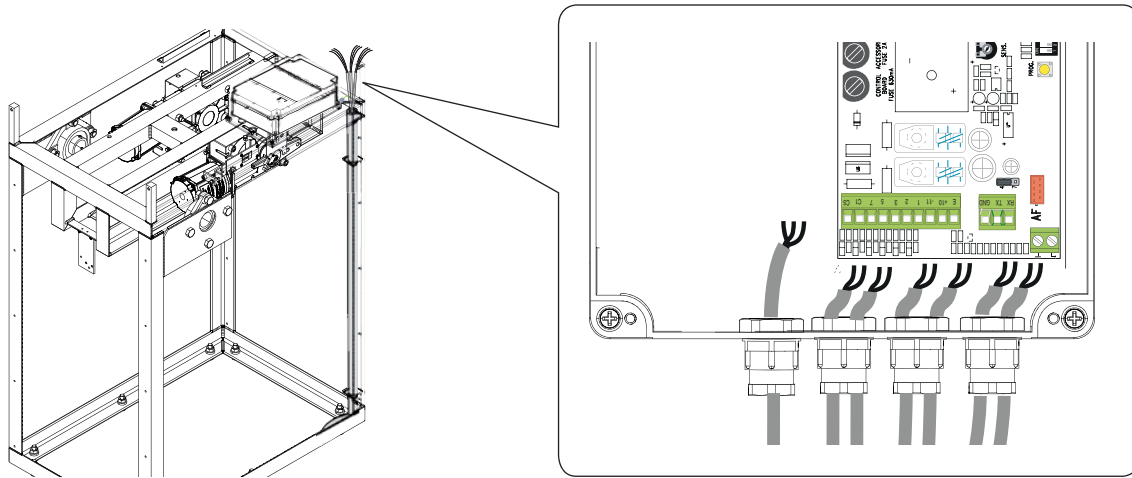


## ELECTRICAL CONNECTIONS

Connect all wires and cables in compliance with the law while using suitable cable glands, as shown in the drawing.

⚠ Use a cable gland only for the 230 V AC power supply cable.

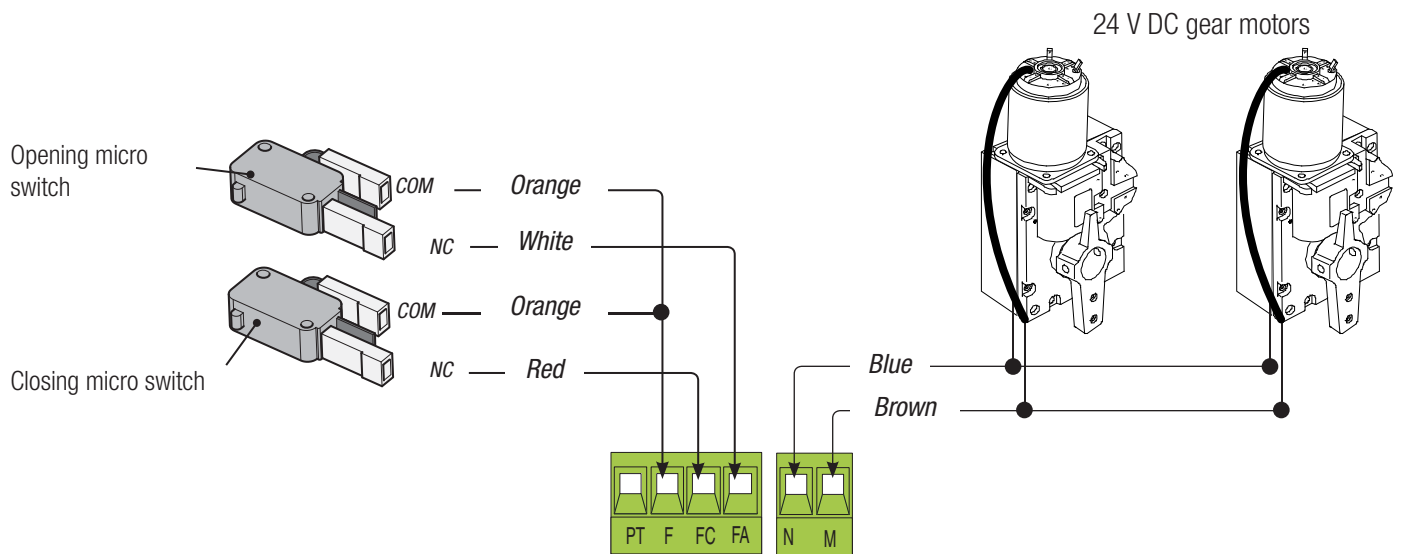
⚠ The electrical cables must not touch any heated parts such as the motor, transformer, and so on.



## FACTORY WIRING

The gear motor is already connected.

To install the barrier on the right side, ask your local retailer for the documentation needed or contact Came in your country, see [www.came.com](http://www.came.com)

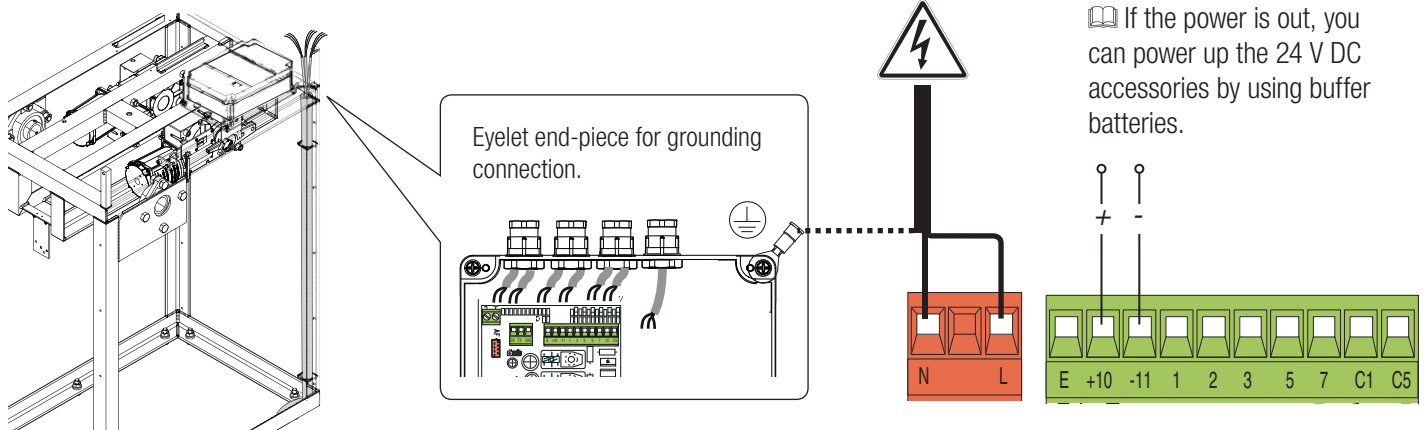


## POWER SUPPLY

230 V AC - 50/60 Hz

Power supply to accessories output 24 V AC (normally) - max 40 W.

📖 If the power is out, you can power up the 24 V DC accessories by using buffer batteries.



## CONTROL DEVICES

STOP button (NC contact). For stopping the boom while excluding the automatic closing.  
To resume movement either press the control button or any other control device.

 If unused, set DIP switch 9 to ON.

OPEN ONLY function from control device with NO contact.

Warning: in MAINTAINED ACTION mode, the control device must be connected to 2-3.

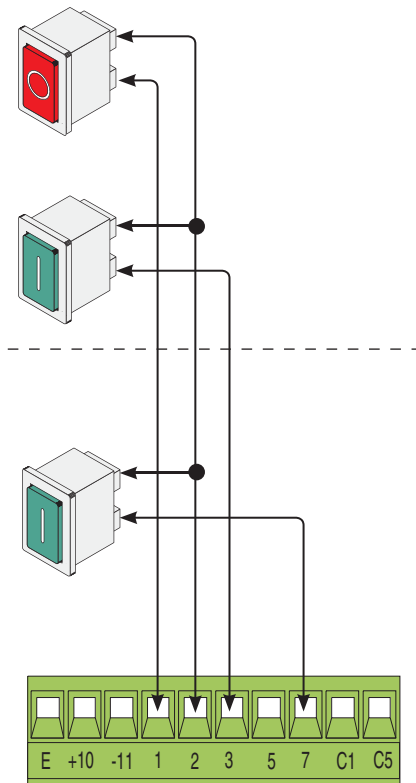
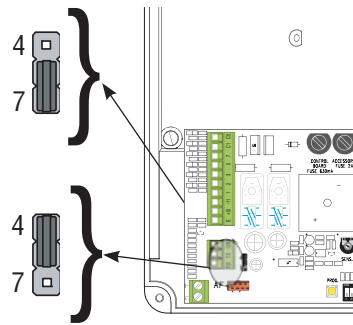
ONLY OPEN or OPEN-CLOSED-INVERT (step-step) function from control device (NO contact, see DIP switch 2).

Set the jumper as shown in the figure.

ONLY CLOSE function from control device (NO contact).

Warning: in MAINTAINED ACTION mode, the control device must be connected to 2-4.

Set the jumper as shown in the figure.



## SAFETY DEVICES

### Photocells

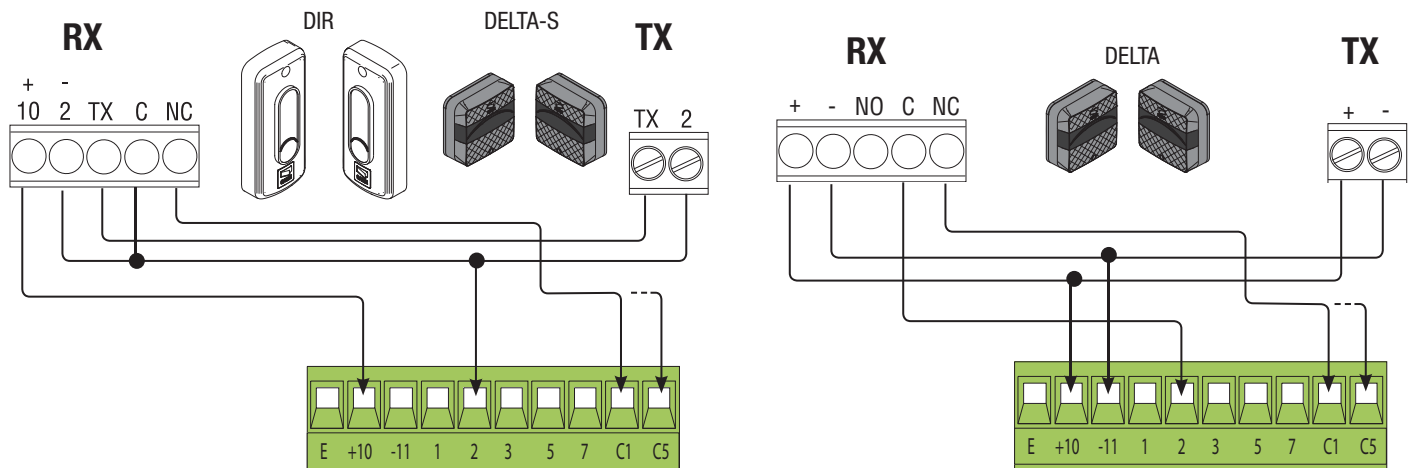
Configure NC contact/s C1 and/or C5, input for safety accessories such as photocells.

**C1 reopening while closing.** When the boom is closing, opening the contact causes its movement to invert until fully opened;

 If unused, shortcircuit contact 2-C1.

**C5 immediate closing.** Closing the boom after a vehicle has passed through the operating area of the safety devices.

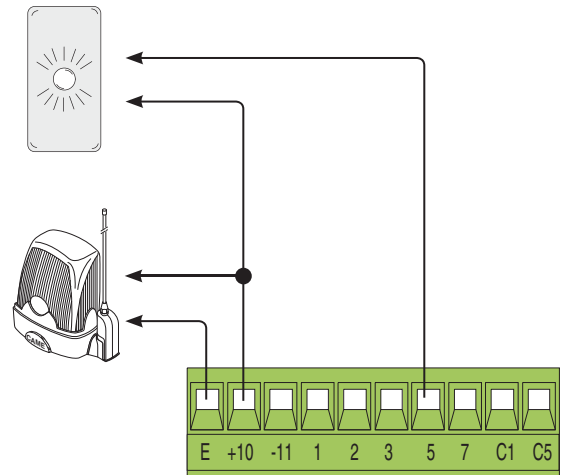
 If unused, set DIP switch 8 to ON.



## SIGNALING DEVICES

Output to notify the state of the barrier (Contact rated for: 24 V AC - 3 W max.).  
It warns of the booms raised position, and switches off when the boom is lowered.

Output for flashing light (Contact rated for: 24 V - 32 W max.).  
It flashes when the boom is moving.



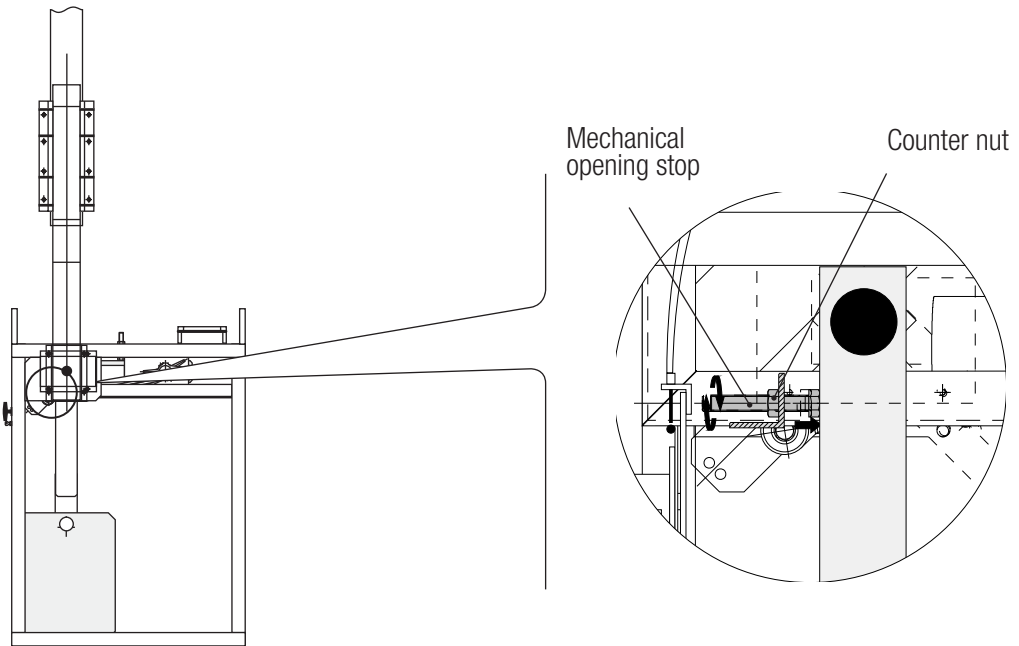
## ESTABLISHING THE LIMIT-SWITCH POINTS

Close the inspection hatch and power up the system. Move the boom to check that it is parallel to the road surface when closed and at about 89° when open.

**⚠ The barrier's opening and closing maneuvers must be performed with the inspection hatch closed.**

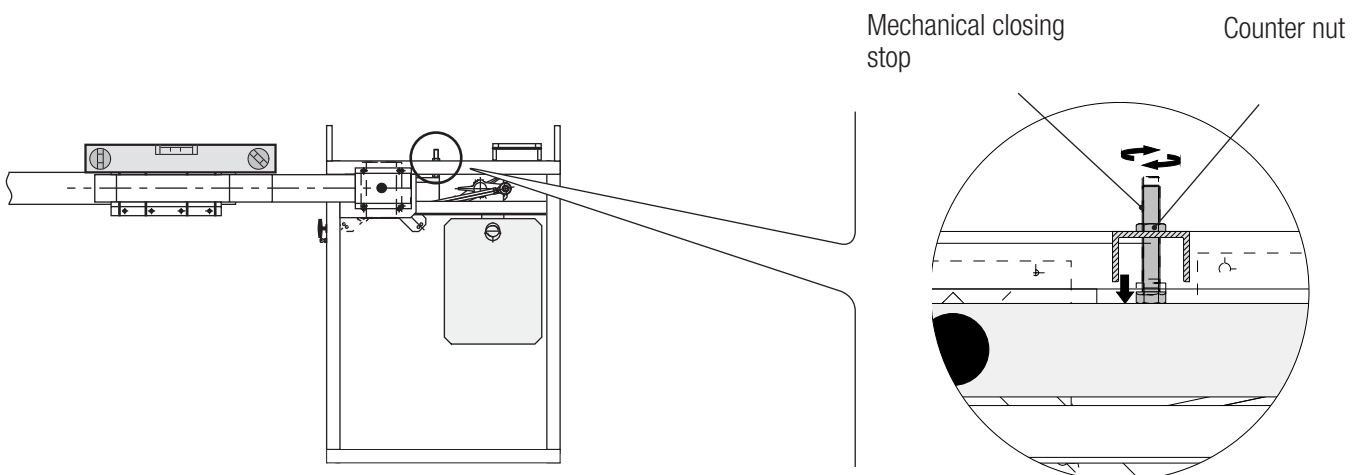
For opening:

- release the gear motor;
- lower the boom, open the inspection hatch and turn the opening mechanical stop clockwise or counter clockwise;
- tighten the counter nut to fasten the mechanical stop.

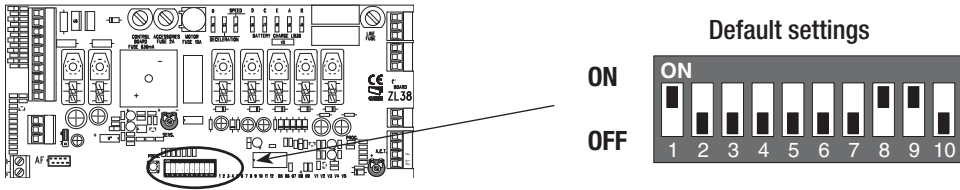


For closing:

- with the boom raised, turn the mechanical closing-stop clockwise or counter clockwise to establish the horizontal position;
- - tighten the counter nut to fasten the mechanical stop.



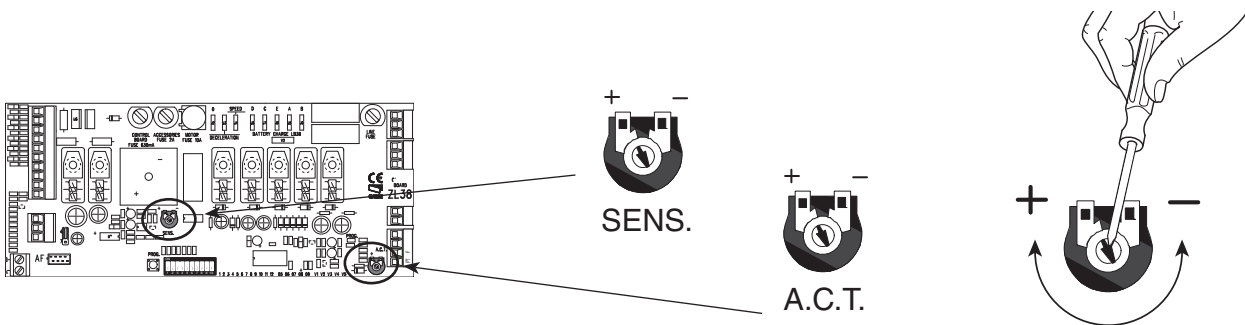
FUNCTIONS



DIP-SWITCH Description of functions

1 ON	AUTOMATIC CLOSING; set 1 to OFF to deactivate it
2 ON	ONLY OPEN from button 2-7 and/or from transmitter (with AF card fitted)
2 OFF	OPEN-CLOSE-INVERT from the button on 2-7 and/or from a transmitter (with AF card fitted)
3 ON	24 V output on 10-E during the boom's movement phases and when it is in closed position
3 OFF	24 V output on 10-E during the boom's movement phases
4 ON	MAINTAINED ACTION; set 4 to OFF to deactivated it
5 ON	PRE-FLASHING when opening and closing; the preflashing time is 5 seconds - set 5 to OFF to deactivate it.
6 ON	OBSTRUCTION DETECTION when motor is idle; set 6 to OFF to deactivate it
7 ON	piloted SLAVE motor; set 7 to OFF to deactivate it
8 OFF	IMMEDIATE CLOSING of the boom; set 8 to ON to deactivate it
9 OFF	TOTAL STOP; set 9 to ON to deactivate it
10 ON	BRAKING ACTION of the boom when closing; set 10 to OFF - to deactivate it

TRIMMER



Trimmer Description of functions

<b>Sensitivity</b>	
<b>SENS</b>	This adjusts the sensitivity when detecting obstructions while the boom is moving. Minimum sensitivity (-) or maximum sensitivity (+).
<b>Automatic Closing Time</b>	
<b>A.C.T.</b>	It adjusts the barrier's waiting time when it is open. Once this time elapses, the shutter automatically closes. The waiting time may be adjusted to between 1 and 120 seconds



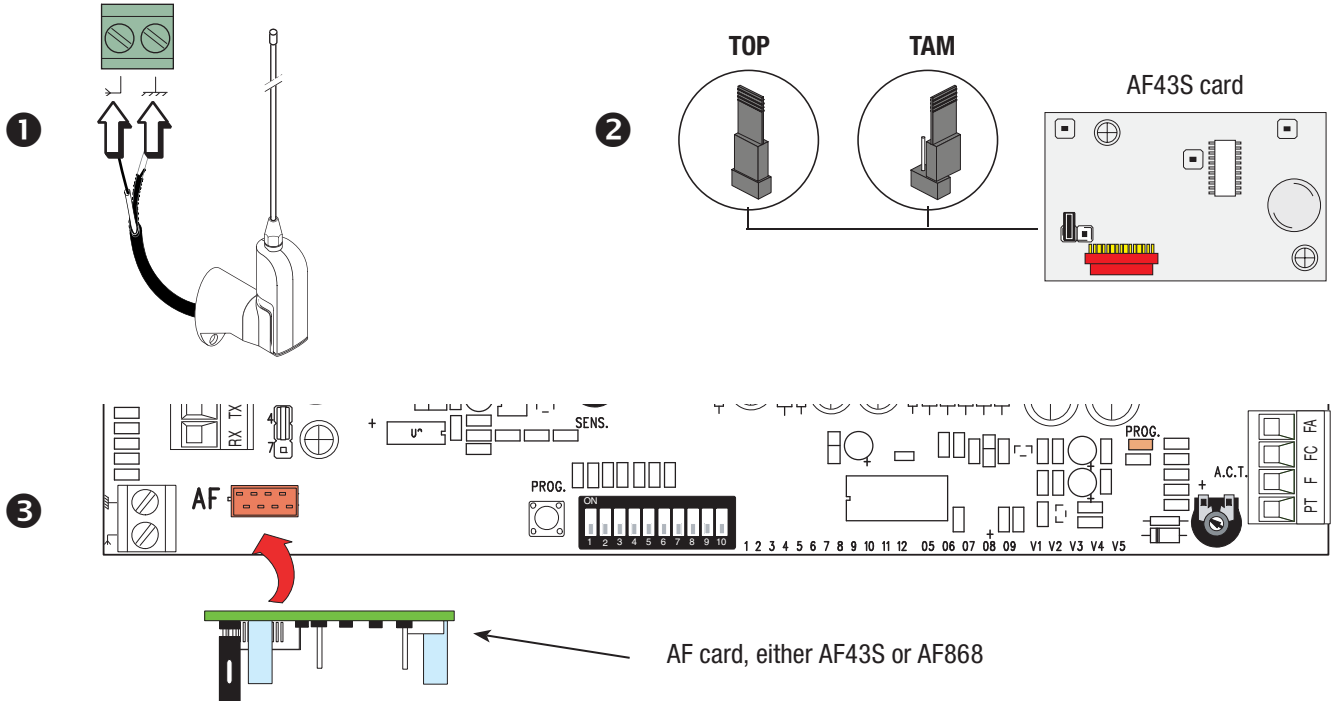
## ACTIVATING THE RADIO CONTROL

Connect the RG58 cable antenna cable to the corresponding terminals ❶.

For TOP and TAM series transmitting on 433.92 MHz, set the jumper-switch of the AF43S card as shown in the figure ❷.

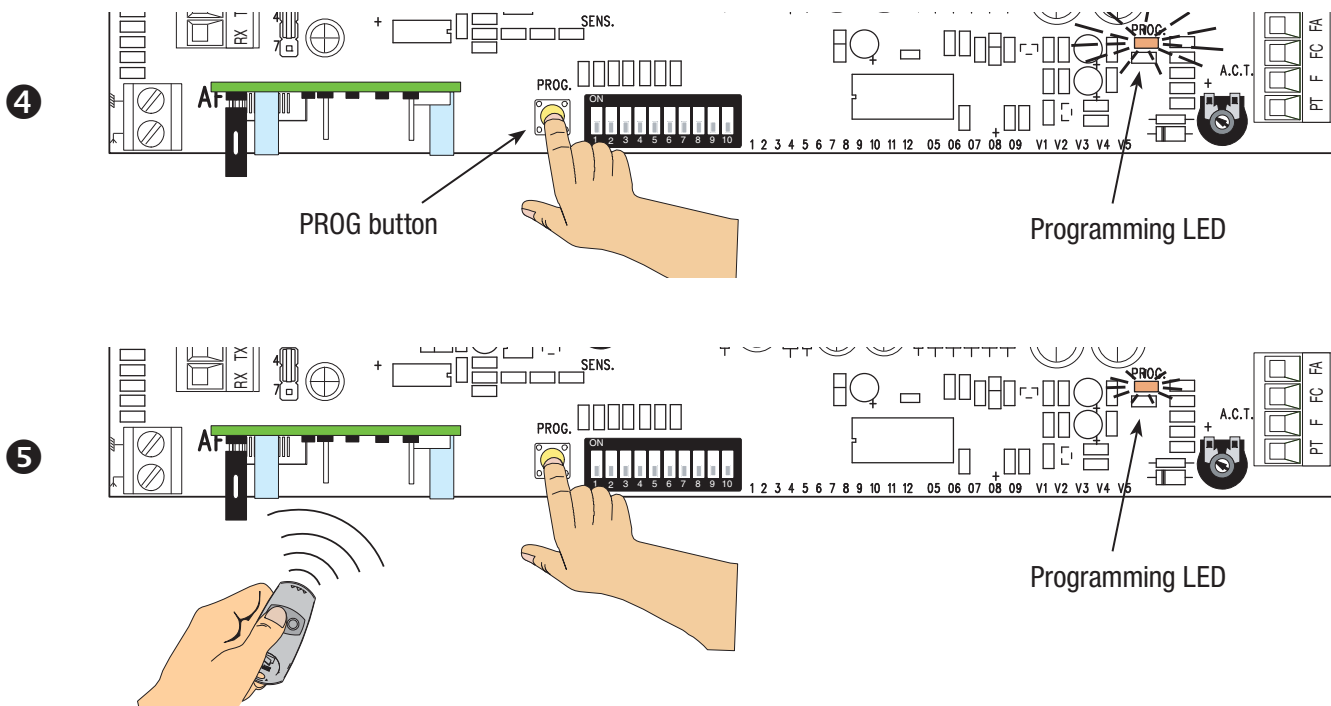
Plug the AF card, that is, the AF43S or the AF868 into the connector on the control board ❸.

⚠ Before fitting the AF card, you MUST CUT OFF THE MAIN POWER SUPPLY and, remove any emergency batteries.



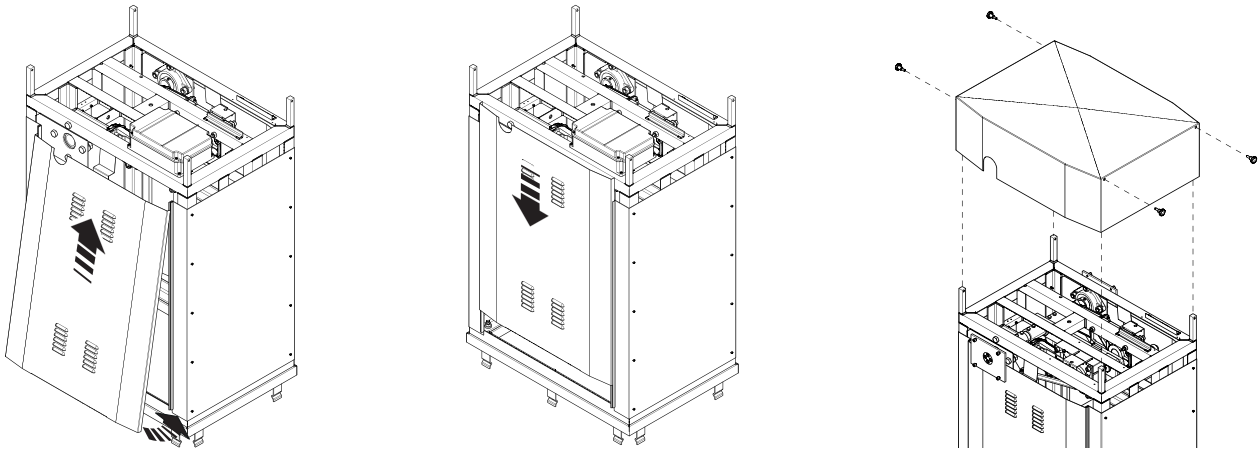
Keep pressed the PROG programming button on the control board. The programming LED flashes ❹.

Press any key on the transmitter you want to memorize. The LED stays on to indicate that memorization has been successful ❺.



## FINAL OPERATIONS

Once the electrical connections are done and the barrier is operational, fit the cover and fasten it by using the screws. Replace the inspection hatch and the upper cover. Close the hatch and fasten the cover by using the screws.

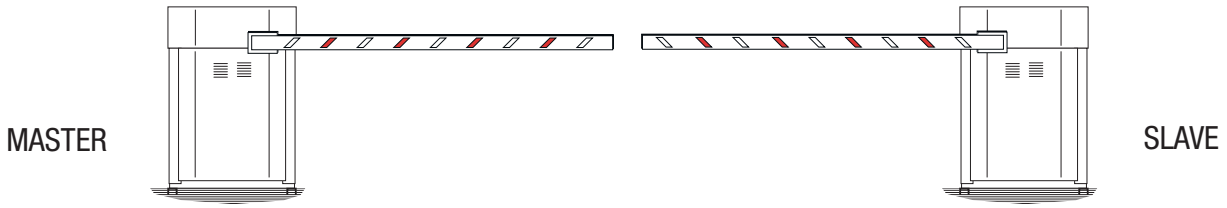


## TROUBLESHOOTING

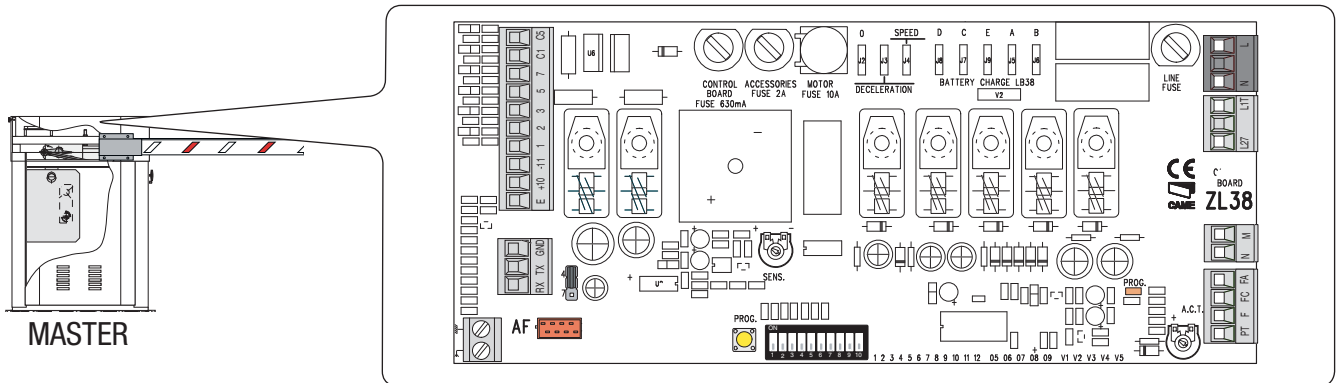
PROBLEM	REFERENCE	CHECK
The boom neither opens nor closes	2-3-4-6-8-18	2 - Deactivate the MAINTAINED ACTION function
The boom opens but does not close	4-7-10	3 - Check the power supply and fuses
The boom closes but does not open	4-7-9	4 - The NC contacts are open
The barrier does not automatically close	11-12-13	6 - Deactivate the MASTER-SLAVE function
The barrier does not work with the transmitter	2-14-16	7 - Check the balancing of the boom
The boom's direction of travel is inverted	7-18	8 - Deactivate the OBSTRUCTION DETECTION function
Only one transmitter works	22	9 - Check the opening limit-switch
The photocells do not work	12-23-24	10 - Check the closing limit-switch
The warning LED flashes quickly	4	11 - Activate the AUTOMATIC CLOSING function
The warning LED stays lit	13	12 - Check the proper direction of travel
The boom does not reach the limit-switch	7	13 - Check the control devices
The boom cannot be balanced	7-15	14 - Replace the AF card
The barrier does not slow down	7-15	15 - Check the length ration between boom and applied accessories
The barrier does not work with emergency batteries	8-25-26	16 - Memorize the radio code again
The boom starts slow	7	18 - Adjust the sensitivity
		22 - Enter or duplicate the same code on all transmitters
		23 - Activate the photocells
		24 - Connect the photocells serially instead of in parallel fashion
		25 - Check the batteries
		26 - Respect the photocell's power supply polarities

## PAIRED CONNECTION WITH A SINGLE COMMAND

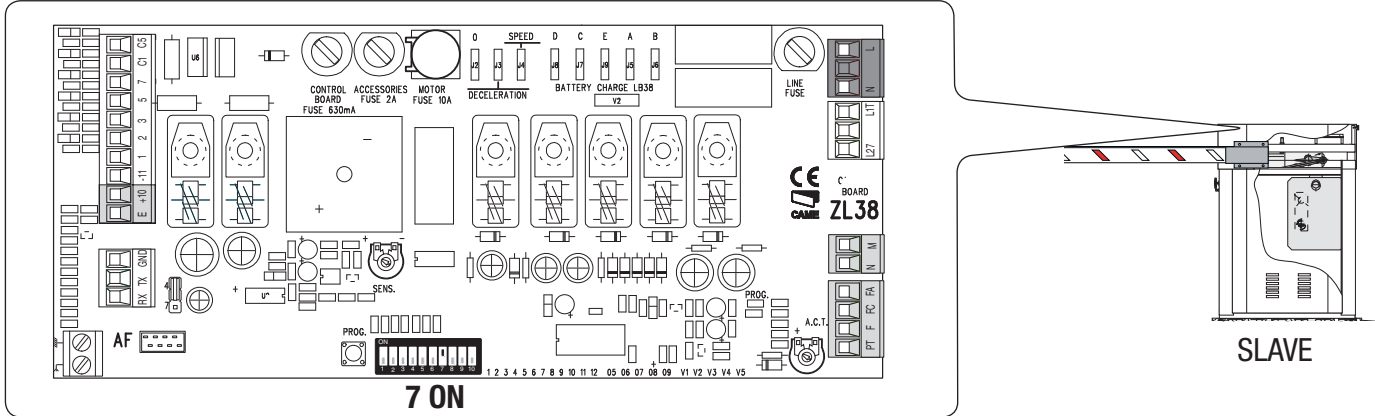
Establish the **MASTER**, that is, the motor that drives both barriers, and **SLAVE**, that is, the motor piloted by the MASTER motor.



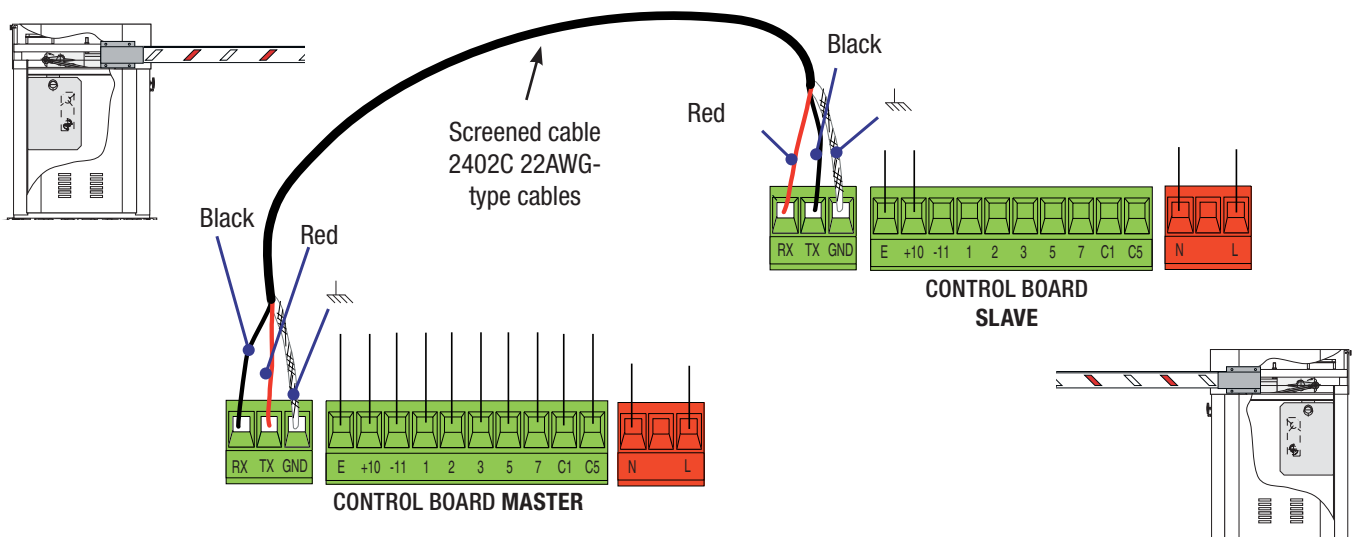
On the MASTER barrier's electronic board, make the necessary electrical connections, activate the radio control, program the functions and settings.



On the SLAVE barrier's control board, connect the power supply to L-N, the flashing light on 10-E, set DIP switch 7 to ON and adjust the travel and slow-down speeds just like on the MASTER barrier.



Connect the two control boards using terminals RX-TX-GND as shown in the figure.



## DISMANTLING AND DISPOSAL

☞ CAME CANCELLI AUTOMATICI S.p.A. applies a certified Environmental Management System at its premises, which is compliant with the UNI EN ISO 14001 standard to ensure the environment is safeguarded.

Please continue safeguarding the environment. At CAME we consider it one of the fundamentals of our operating and market strategies.

Simply follow these brief disposal guidelines:

### ♻️ DISPOSING OF THE PACKAGING

The packaging materials (cardboard, plastic, and so on) should be disposed of as solid household waste, and simply separated from other waste for recycling.

Always make sure you comply with local laws before dismantling and disposing of the product.

DISPOSE OF RESPONSIBLY!

### ♻️ DISMANTLING AND DISPOSAL

Our products are made of various materials. Most of these (aluminum, plastic, iron, electrical cables) are classified as solid household waste. They can be recycled by separating them before dumping at authorized city plants.

Whereas other components (control boards, batteries, transmitters, and so on) may contain hazardous pollutants.

These must therefore be disposed of by authorized, certified professional services.

Before disposing, it is always advisable to check with the specific laws that apply in your area.

DISPOSE OF RESPONSIBLY!

Fabricante / Manufacturer / Hersteller / Fabricant / Fabricante / Fabricante / Wytwórca

**Came S.p.a.**

Indirizzo / address / adresse / dirección / endereço / adres / adres

Via Martiri della Libertà 15 - 31030 Dosson di Casier, Treviso - Italy



DICHIARAZIONE DI INCORPORAZIONE allegato / DECLARATION OF INCORPORATION annex / ERKLÄRUNG FÜR DEN EINBAU anhang / DECLARATION D'INCORPORATION annexe / DECLARACION DE INCORPORACION anexo / DECLARACAO DE INCORPORACAO anexo / DEKLARACJA WBUDOWANIA załącznik / INBOUWERKLARING bijlage IIB - 2006/42/CE

DICHIARA CHE LA BARRIERA STRADALE / DECLARES THAT THE AUTOMATIC BARRIERS / ERKLÄRT DASS DIE AUTOMATISCHEN SCHRÄNKENSYSTEME / DECLARE QUE LA BARRIERE AUTOMATIQUE / DECLARA QUE LA BARRERAS AUTOMÁTICAS / DECLARA QUE A BARREIRA AUTOMÁTICA / OSWIADCZA ZE SZLABANY AUTOMATYCZNA / VERKLAART DAT DE AUTOMATISCHE SLAGBOOM

G12000K  
G12010K  
G12010KS

E' CONFORME ALLE DISPOSIZIONI DELLE SEGUENTI DIRETTIVE / IT COMPLIES WITH THE PROVISIONS OF THE FOLLOWING DIRECTIVES / DEN VORGABEN DER FOLGENDEN RICHTLINIEN ENTSPRECHEN / IL EST CONFORMES AUX DISPOSITIONS DES DIRECTIVES SUIVANTES / CUMPLEN CON LAS DISPOSICIONES DE LAS SIGUIENTES DIRECTIVAS / ESTÃO DE ACORDO COM AS DISPOSIÇÕES DAS SEGUINTE DIRECTIVAS / SA ZGODNE Z POSTANOWIENIAMI NASTĘPUJĄCYCH DYREKTYW EUROPEJSKICH / VOLDOEN AAN DE VOORSCHRIFTEN VAN DE VOLGENDE RICHTLIJNEN:

- COMPATIBILITA' ELETTROMAGNETICA / ELECTROMAGNETIC COMPATIBILITY / ELEKTROMAGNETISCHE VERTRÄGLICHKEIT / COMPATIBILITÉ ÉLECTROMAGNETIQUE / COMPATIBILIDAD ELECTROMAGNETICA / COMPATIBILIDADE ELETTROMAGNETICA / KOMPATYBILNOŚCI ELEKTROMAGNETYCZNEJ / ELEKTROMAGNETISCHE COMPATIBILITEIT : 2014/30/UE.

Riferimento norme armonizzate ed altre norme tecniche / Refer to European regulations and other technical regulations / Harmonisierte Bezugsnormen und andere technische Vorgaben / Référence aux normes harmonisées et aux autres normes techniques / Referencia normas armonizadas y otras normas técnicas / Referência de normas harmonizadas e outras normas técnicas / Odnosne normy ujednolicone i inne normy techniczne / Geharmoniseerde en andere technische normen waarnaar is verwezen

EN 61000-6-2:2005  
EN 61000-6-3:2007+A1:2011  
EN 62233:2008  
EN 60335-1:2012+A11:2014

RISPETTA I REQUISITI ESSENZIALI APPLICATI: / MEET THE APPLICABLE ESSENTIAL REQUIREMENTS: / DEN WESENTLIJEN ANGEWANDTEN ANFORDERUNGEN ENTSPRECHEN: / RESPECTER LES CONDITIONS REQUISES NECESSAIRES APPLIQUEES: / CUMPLEN CON LOS REQUISITOS ESSENCIALES APLICADOS: / RESPEITAM O REQUISITOS ESSENCIAIS APLICADOS: / SPEŁNIAJA PODSTAWOWE WYMAGANIA WYRUNKI: / VOLDOEN AAN DE TOEPASBARE MINIMUM EISEN:

1.1.3; 1.1.5; 1.2.1; 1.2.2; 1.3.2; 1.3.7; 1.3.8.1; 1.4.1; 1.4.2; 1.5.1; 1.5.6; 1.5.8; 1.5.9; 1.5.9; 1.5.13; 1.6.1; 1.6.3; 1.6.4; 1.7.1; 1.7.2; 1.7.4

PERSONA AUTORIZZATA A COSTITUIRE LA DOCUMENTAZIONE TECNICA PERTINENTE / PERSON AUTHORISED TO COMPILE THE RELEVANT TECHNICAL DOCUMENTATION / PERSON DIE BEVOLLMÄCHTIGT IST, DIE RELEVANTEN TECHNISCHEN UNTERLAGEN ZUSAMMENZUSTELLEN / DOCUMENTATION TECHNIQUE SPECIFIQUE D'AUTORISATION A CONSTRUIRE DE / PERSONA FACULTADA PARA ELABORAR LA DOCUMENTACIÓN TÉCNICA PERTINENTE / PESSOA AUTORIZADA A CONSTITUIR A DOCUMENTAÇÃO TÉCNICA PERTINENTE / OSOBA UPOWAZNIONA DO ZREDAGOWANIA DOKUMENTACJI TECHNICZNEJ / DEGENE DIE GEMACHTIGD IS DE RELEVANTE TECHNISCHE DOCUMENTEN SAMEN TE STELLEN.

**CAME S.p.a.**

La documentazione tecnica pertinente è stata compilata in conformità all'allegato VII.B. / The pertinent technical documentation has been drawn up in compliance with attached document VII.B. / Die relevante technische Dokumentation wurde entsprechend der Anlage VII.B ausgestellt. / La documentation technique spécifique a été remplie conformément à l'annexe IIB / La documentación técnica pertinente ha sido rellenada en cumplimiento con el anexo VII.B. / A documentação técnica pertinente foi preenchida de acordo com o anexo VII.B. / Odnosna dokumentacja techniczna została zredagowana zgodnie z załącznikiem VII.B. / De technische documentatie terzake is opgesteld in overeenstemming met de bijlage VII.B.

CAME S.p.a. si impegna a trasmettere, in risposta a una richiesta adeguatamente motivata delle autorità nazionali, informazioni pertinenti sulle quasi macchine, e / Came S.p.A., following a duly motivated request from the national authorities, undertakes to provide information related to the quasi machines, and / Die Firma Came S.p.A. verpflichtet sich auf eine angemessen motivierte Anfrage der staatlichen Behörden Informationen über die unvollständigen Maschinen, zu übermitteln, und / Came S.p.A. s'engage à transmettre, en réponse à une demande bien fondée de la part des autorités nationales, les renseignements relatifs aux quasi machines / Came S.p.A. se compromete a transmitir, como respuesta a una solicitud adecuadamente fundada por parte de las autoridades nacionales, informaciones relacionadas con las cuasimáquinas / Came S.p.A. compromete-se em transmitir, em resposta a uma solicitação motivada apropriadamente pelas autoridades nacionais, informações pertinentes às partes que compoñam máquinas / Came S.p.A. zobowiązuje się do udzielenia informacji dotyczących maszyn nieukończonych na odpowiednio umotywowana prośbę, złożoną przez kompetentne organy państwowe / Came S.p.A. verbindt zich ertoe om op met redenen omkleed verzoek van de nationale autoriteiten de relevante informatie voor de niet voltooidde machine te verstrekken.

**VIETA / FORBIDS / VERBIETET / INTERDIT / PROHIBE / PROIBE / ZABRANIA SIE / VERBIEDT**

la messa in servizio finché la macchina finale in cui deve essere incorporata non è stata dichiarata conforme, se del caso alla 2006/42/CE, / commissioning of the above mentioned until such moment when the final machine into which they must be incorporated, has been declared compliant, if pertinent, to 2006/42/CE / die Inbetriebnahme bevor die Endmaschine in die die unvollständige Maschine eingebaut wird, als konform erklärt wurde, gegebenenfalls gemäß der Richtlinie 2006/42/EG. / la mise en service tant que la machine finale dans laquelle elle doit être incorporée n'a pas été déclarée conforme, le cas échéant, à la norme 2006/42/CE. / la puesta en servicio hasta que la máquina final en la que será incorporada no haya sido declarada de conformidad de acuerdo a la 2006/42/CE / a colocação em funcionamento, até que a máquina final, onde devem ser incorporadas, não for declarada em conformidade, se de acordo com a 2006/42/CE. / Uruchomienia urządzenia do czasu, kiedy maszyna, do której ma być wbudowany, nie zostanie oceniona jako zgodna z wymogami dyrektywy 2006/42/WE, jeśli taka procedura była konieczna, / de in werking te stellen zolang de eindmachine waarin de niet voltooidde machine moet worden ingebouwd in overeenstemming is verklaard, indien toepasselijk met de richtlijn 2006/42/EG.

Dosson di Casier (TV)  
5 Marzo / March / März / Mars / Marzo  
/ Março / Marzec / Maart 2018

Legale Rappresentante / Legal Representative / Gesetzlicher Vertreter / Representant Legal / Representante Legal / Representante Legal / Prawny Przedstawiciel / Juridische Vertegenwoordiger

Paolo Menuzzo

Fascicolo tecnico a supporto / Supporting technical dossier / Unterstützung technische Dossier / soutien dossier technique / apoyo expediente técnico / apolar dossier técnico / wspieranie dokumentacji technicznej / ondersteunende technische dossier: 001G12000K

**Came S.p.a.**

Via Martiri della Libertà, 15 - 31030 Dosson di Casier - Treviso - Italy - Tel. (+39) 0422 4940 - Fax (+39) 0422 4941  
info@came.it - www.came.com

Cap. Soc. 1.610.000,00 € - C.F. e P.I. 03481280265 - VAT IT 03481280265 - REA TV 275359 - Reg Imp. TV 03481280265



CAME.COM

**CAME S.P.A.**

Via Martiri Della Libertà, 15  
31030 Dosson di Casier - Treviso - Italy  
tel. (+39) 0422 4940 - fax. (+39) 0422 4941