



DT-3903

**TECHNICAL DESCRIPTION
AND
ASSEMBLING MANUAL**

DOCK SHELTER



July 2017



(+39)-011.71760.11



info@armoweb.com

0 – DT-3903



(+39)-011. 71760.19



<http://www.armoweb.com>

- **TECHNICAL DESCRIPTION** page 2
- **ASSEMBLING INTRODUCTION** page 4
- **DIMENSIONS** page 7
- **INSTALLATION SEQUENCE** page 8
- **INSTALLATION PICTURES** page 13
- **MAINTENANCE – DISPOSAL** page 21

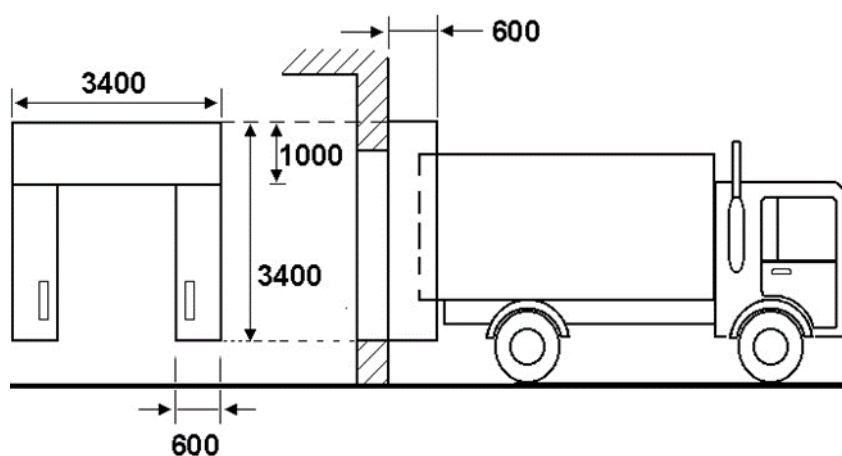


The dock shelter is necessary to correctly isolate your staff and goods of your warehouses from bad weather conditions and sudden variations of temperature. With a dock shelter installation you will obtain a considerable energy saving.

STRUCTURE

- Dock shelter with frontal sheet in black rubber and different degree of stiffness.
- Opening/closing device through swinging arms. The truck, reversing, pushes the dock shelter structure without causing any damages.
- Self-supporting structure in SENDMIR galvanized steel tube, telescopic type, to reduce possible impacts with trucks.
- Frontal part realized with anti-wearing black rubber sheets, having different elasticity in weft and warp by a doubled reinforcement cloth.
- Covering tarpaulin in black polyester PVC with reinforcement border for fixing.
- Side tarpaulins in black PVC of 700 gr/mq.
- Frontal part is surrounded by an extruded natural aluminium frame.
- Standard colour: black
- Yellow and black stripes for centring the truck

Flat roof model - code PAW-L(N)



Features

Outside width	mm	3400
Lateral sheets	mm	600
Upper sheet	mm	1000
Outside height	mm	3400
Depth	mm	600
Suggested height	mm	4500*
*from ground		

Frontal sheet Features	3000 gr/m ²
Tear resistance K/1 (DIN 53363/ISO 505)	length ca. 550-700 N width ca. 900 N
Tensile strength (DIN 53354/ISO 283)	ca. 250 N/mm
Temperature durability (DIN 53361)	-30° till +90°C

TECHNICAL DESCRIPTION

TECHNICAL DETAILS

BADGE NUMBER	N°: _____
MAXIMUM WEIGHT	KG. 150
STANDARD OVERALL DIMENSIONS	Width 3400 mm
	Height 3400 mm
COATING FEATURES	PVC
UP AND LATERAL SHEETS FEATURES	ANTI-WEARING RUBBER
FRAME FEATURES	STEEL and ALUMINIUM

Frontal sheet features	3000 gr/m ²
Ripping resistance K/1 (DIN 53363/ISO 505)	Lenght 550-700 N Width 900 N
Traction resistance (DIN 53354/ISO 283)	~ 250 N/mm
Application temperature (DIN 53361)	Between -30° and up to +90°C

ASSEMBLING INTRODUCTION

This instruction manual allows the authorized staff to use the dock shelter properly and to carry out the necessary maintenance works, avoiding, possibly, even mortal dangers, which come from a wrong use of the product.

We remind that installation, maintenance, fixing up and checks must be execute by **specialists**.

The safety rules define like “expert” a person who, according to his technical training and experience, knows enough the dock shelters sector and has familiarity with their regulations in order to establish their safety conditions.

All data, which appear in this manual, have to be considered indicative



**THIS SYMBOL REPRESENTS SPECIAL
ANNOUNCEMENTS CONCERNING SAFETY OR OTHER
KIND OF REMARKS
READ CAREFULLY THESE NOTICES!**



BEFORE TO START ANY TYPE OF WORK

The responsible has always to check the good operation of the equipment as well as the safety device to employ.

To install, employ and keep safe the dock shelter, it is required to keep precautions. Having a total safety means keeping attention the announcements and the instructions hereinafter supplied! Should you have any doubts, do not hesitate to contact the supplier.

Workers must avoid to stop under the action ray of the raising machines and can approach only during the unhooking operations.

During this phase, workers must wear helmet, gloves, safety shoes, glasses or protective visor for eyes (this specifically when they employ electrical tools).

Suitable ears protectors against noise are supplied to workers and must be employed according to the evaluation of the noise risk registered in the working environment. The noise pressure level is measured under the 70 dB.



WORKING EQUIPMENT

- Handle tools
- Electric drill
- crowbar
- spirit level or other tools
- continuous wire electric welder
- grinder

DPI

- safety shoes
- safety helmet
- ear protectors
- Gloves

MAIN RULES OF REFERENCE

Legislative decree n.277 dtd. 15/08/1991

Legislative decree n.81/2008 (only text on safety)

Legislative decree n.106/2009 (updating at the only text on safety)

RISK

- Falling from top and at level
- Abrasions, pricks, cuts, lacerations to the hands
- Shock, hits, impacts, compressions to the hands
- Electrocutation
- Falling od materials from top
- Loads manual handling
- Dusts inhalation
- Splinters projectione
- Vibrations
- Noise

Check that the delivered packaging contains all the components required for completing the supplying and assembling correctly the dock shelter.

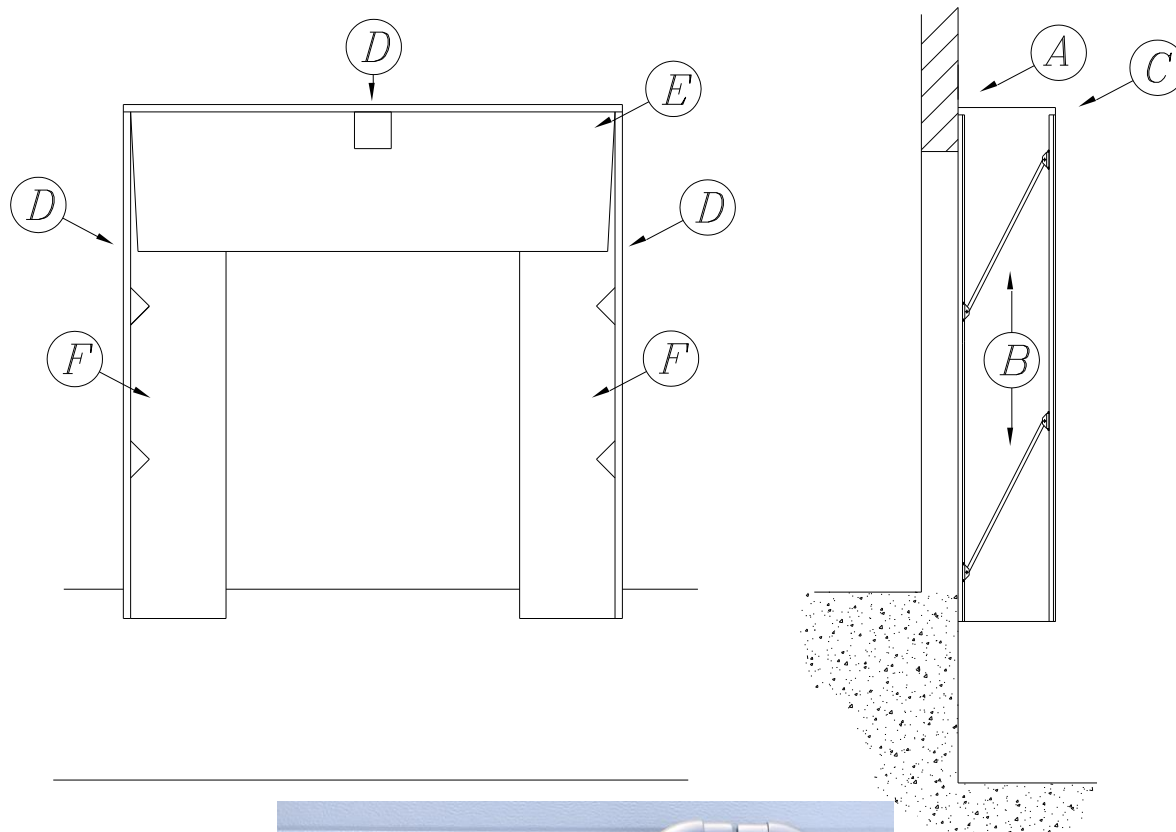
- Check that the structure on which it is foreseen the positioning of the shelter, is suitable enough to support its weight.
- All components supplied are conceived for being used on this specific dock shelter. To change or add supplementary components, could cause problems concerning the safety and the warranty of the product. The installer is the only responsible!

ASSEMBLING MUST BE EXECUTED ONLY BY SKILLED STAFF, HAVING THE SUITABLE EQUIPMENT SO THAT THEY CAN EXECUTE ALL THE FOLLOWING DESCRIBED OPERATIONS IN TOTAL SAFETY.



PAW-L dock shelter is made by the following elements:

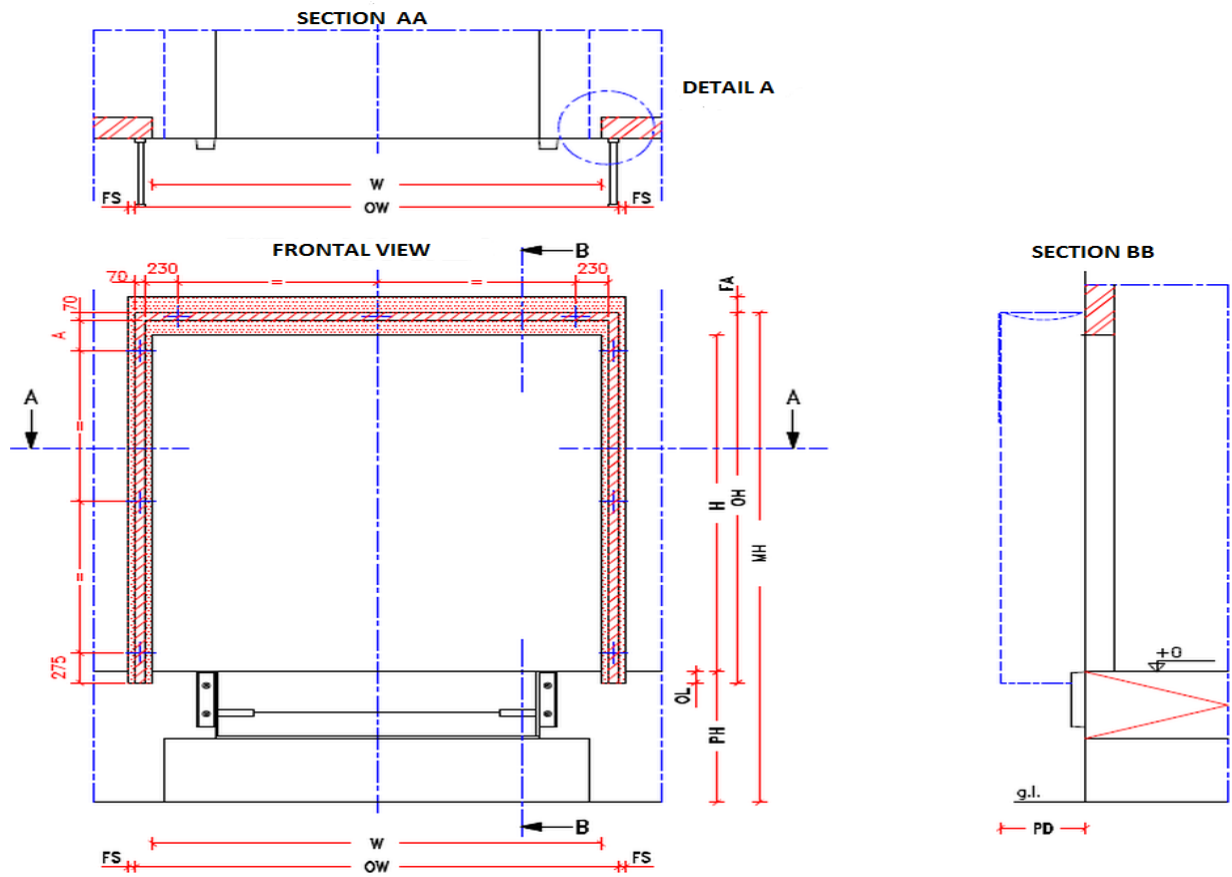
- A. A walled structure, composed by three elements;
- B. Four brackets, 2 per side
- C. A frontal archway, composed by three elements in aluminium, which support the rubber sheets
- D. Outside aluminium perimeter.
- E. Upper sheet in anti-wear rubber.
- F. Two lateral rubber sheets.
- G. Installation Kit



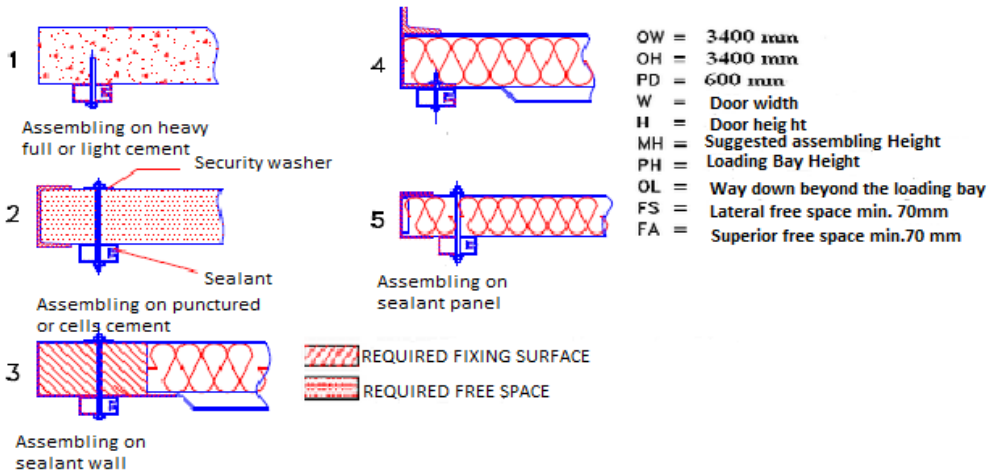
Installation Kit



DIMENSIONS



DETAIL A



Notes

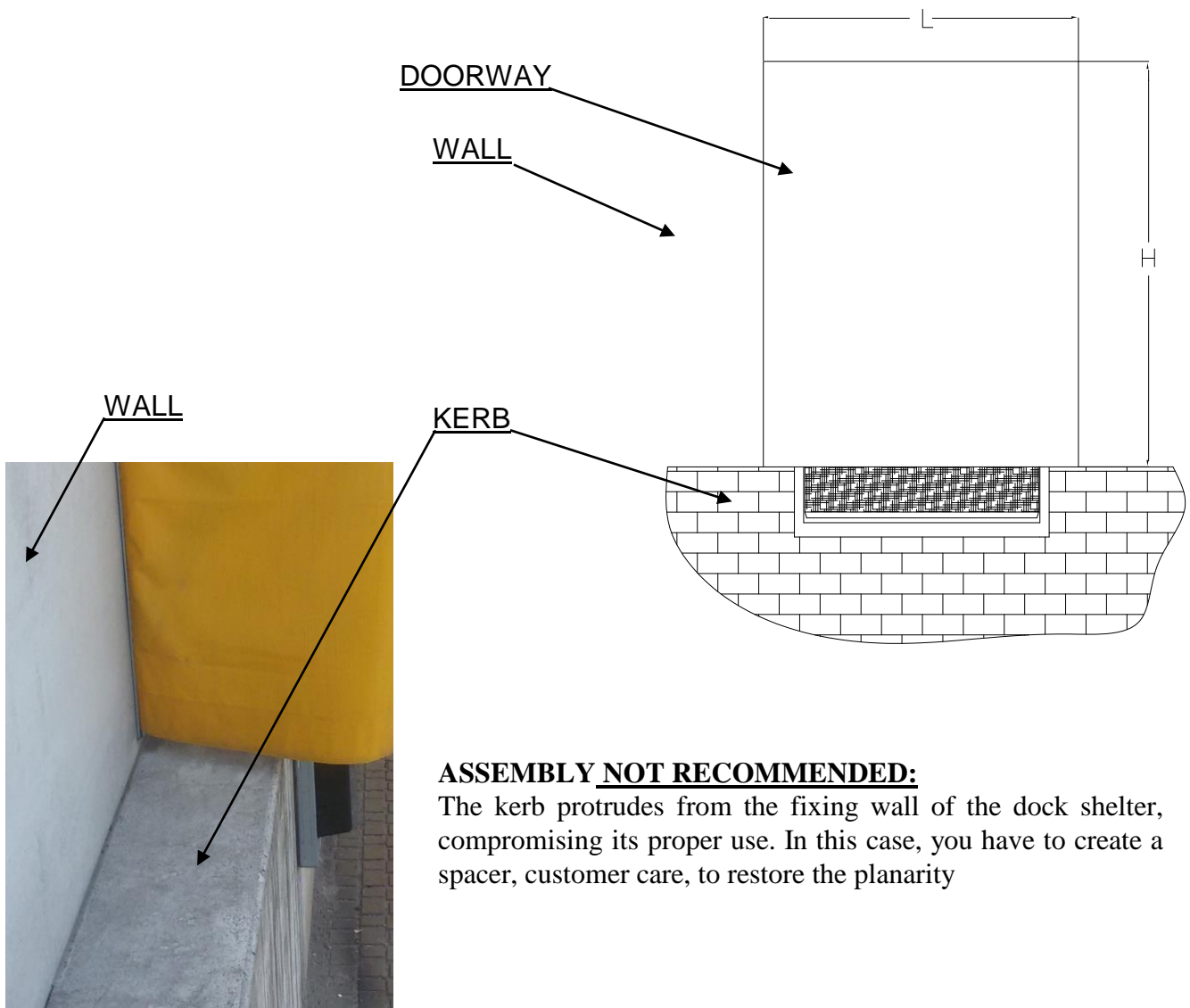
- Upper space required when there is a roof: 150 mm for Paw-L
- Suggested tubular 100 x 40 x 2

WARNING: once opened the packaging, check that the product has not been damaged during the transport. If you remark any faults, it is imperative to report them immediately to the forwarder on the delivery note, as well as inform the producer and the retailer.

Before starting the installation, check the dimensions of the hole: width and height.

For the standard assembling, these measures must correspond to at least **120 mm lower** than the outside dimensions of the portal.

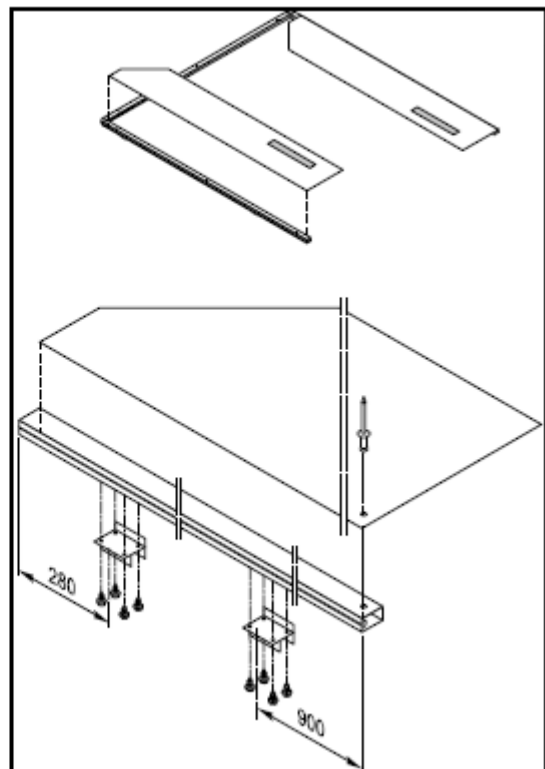
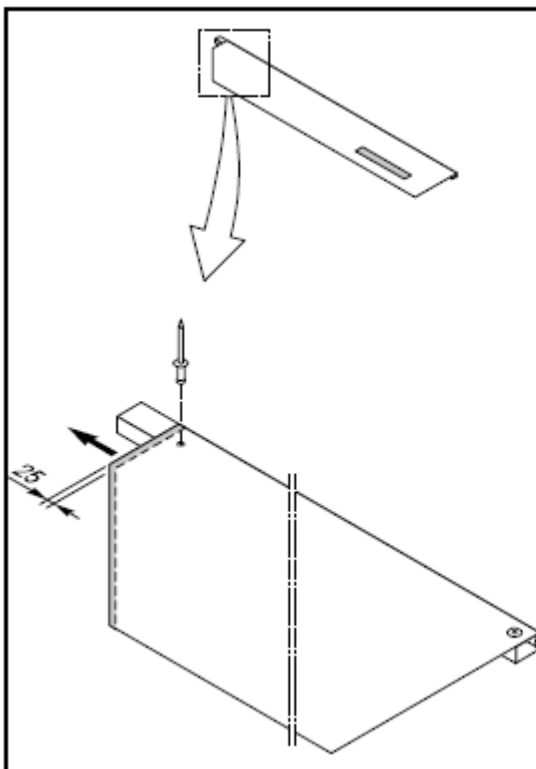
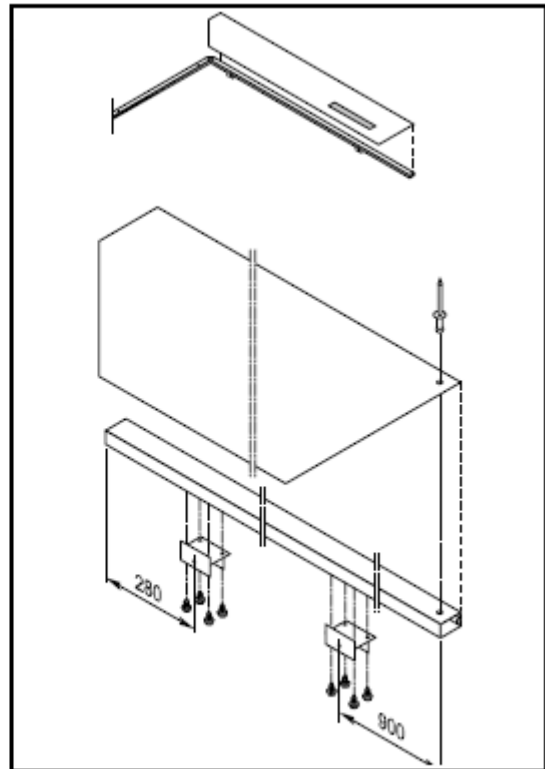
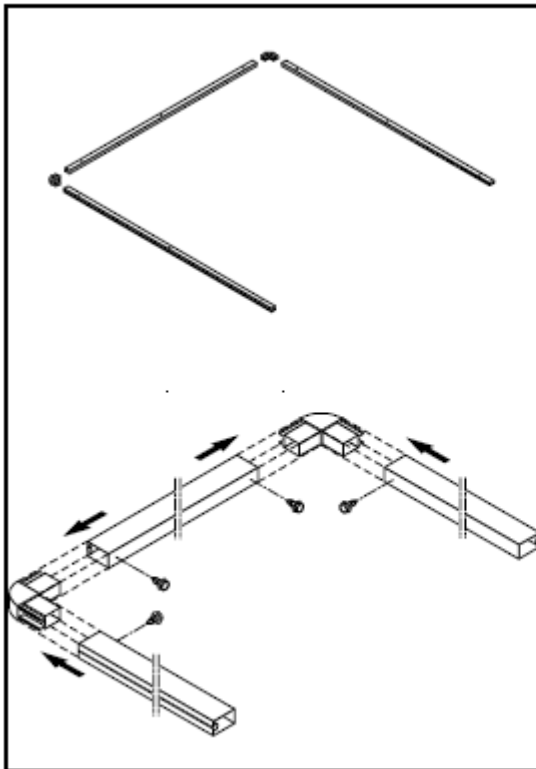
Also check the flatness of the surface on which the dock shelter will be mounted and the correct alignment between the wall and the lower kerb in order to avoid steps that compromise the pose of the dock shelter and the correct operation of the same.



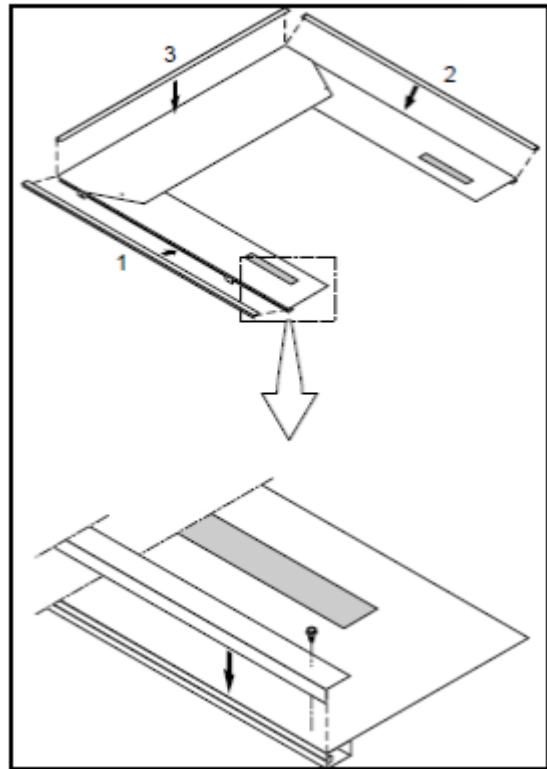
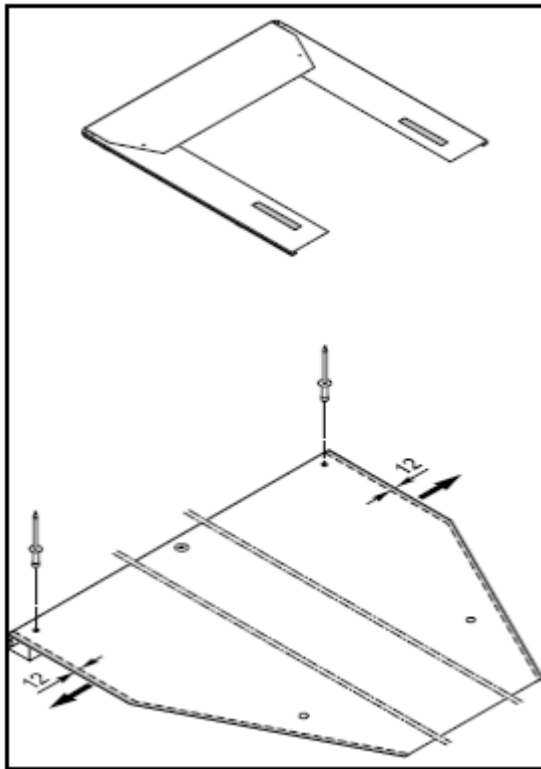
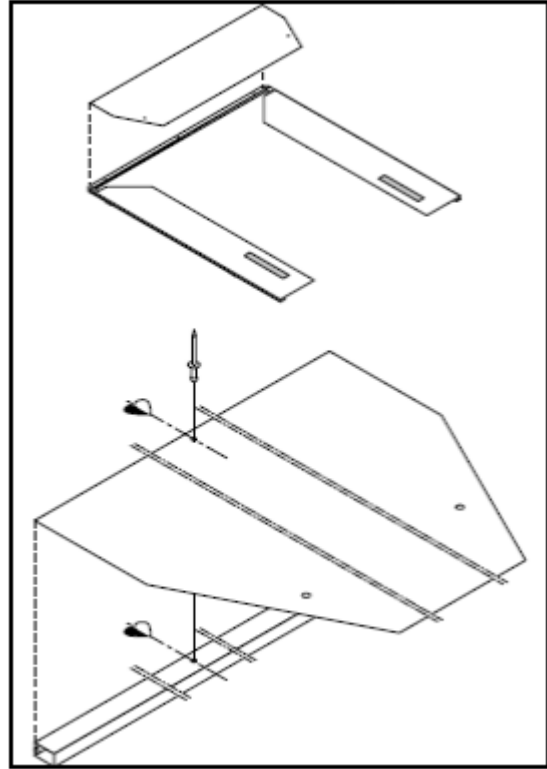
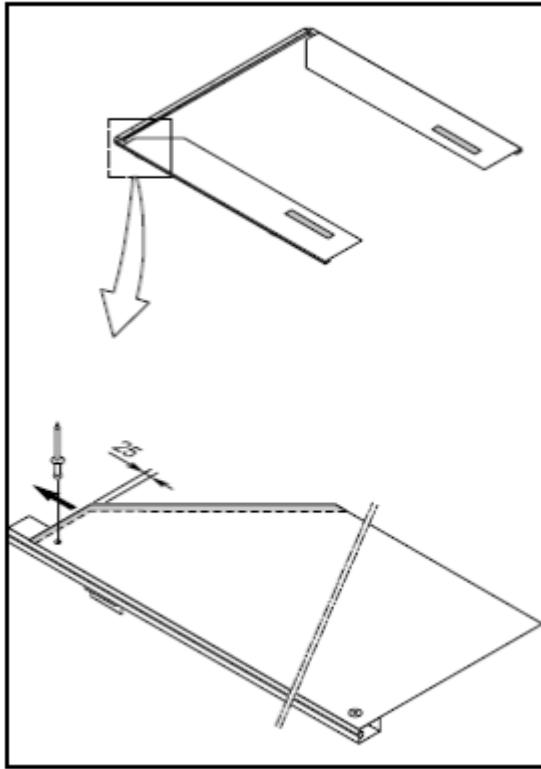
ASSEMBLY NOT RECOMMENDED:

The kerb protrudes from the fixing wall of the dock shelter, compromising its proper use. In this case, you have to create a spacer, customer care, to restore the planarity

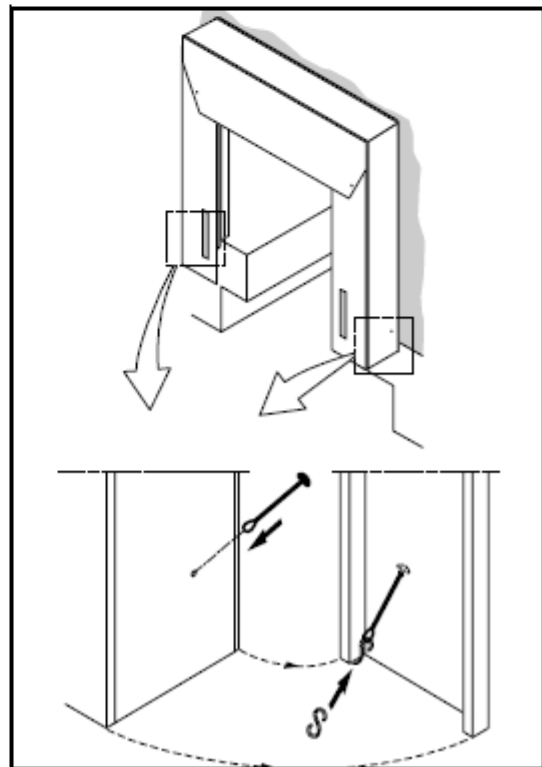
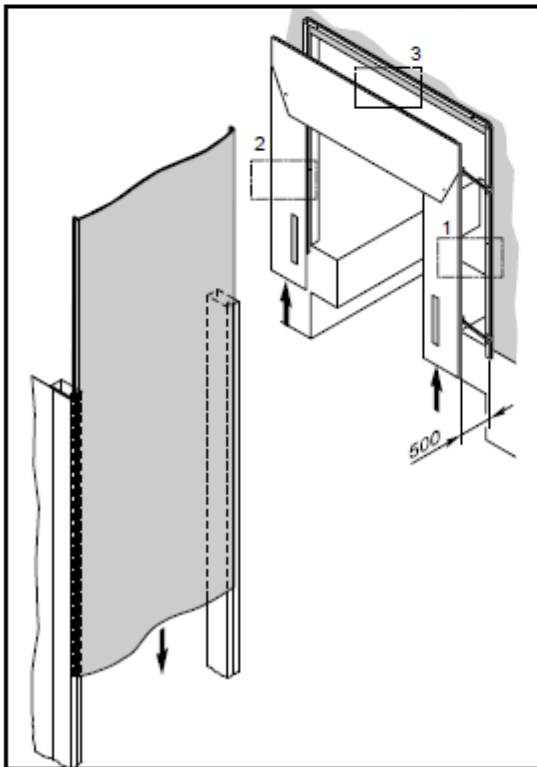
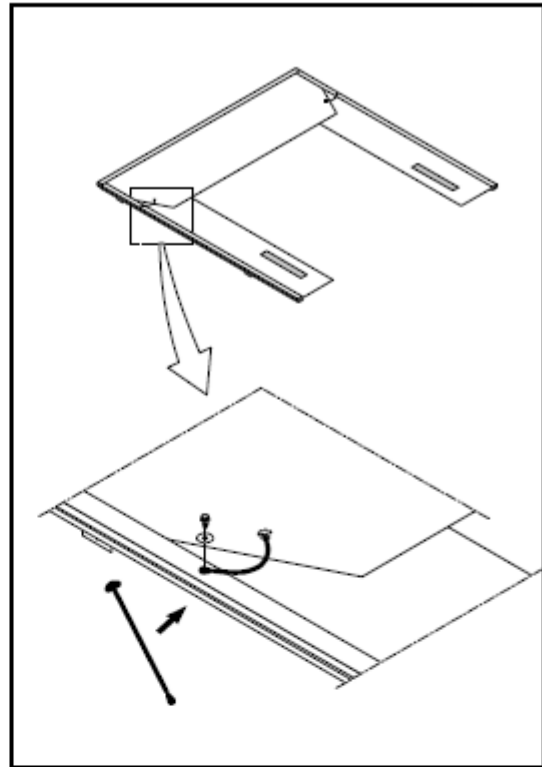
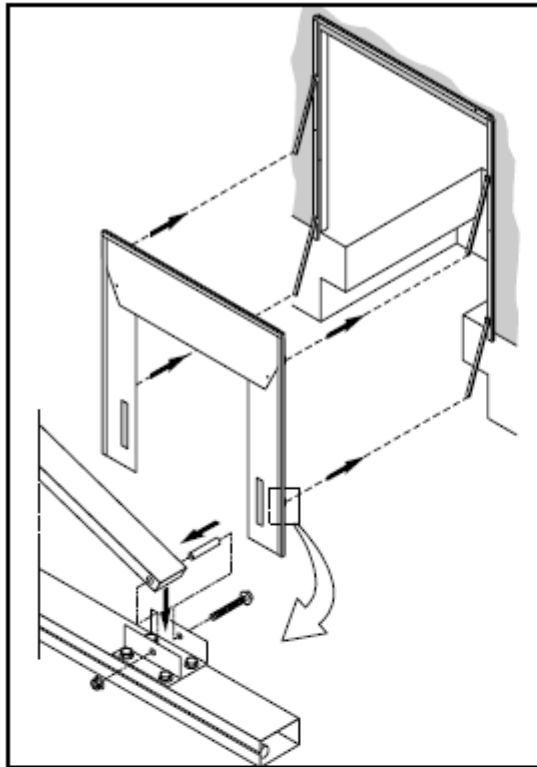
INSTALLATION SEQUENCE GROUND ASSEMBLING



INSTALLATION SEQUENCE GROUND ASSEMBLING

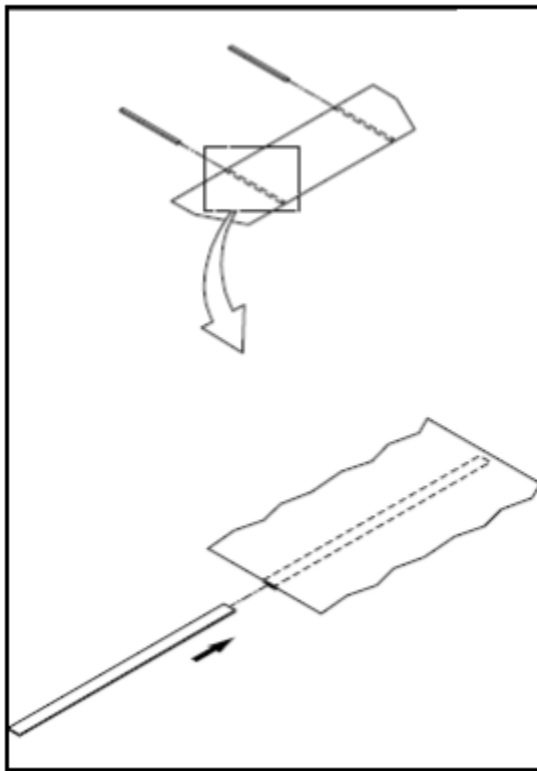
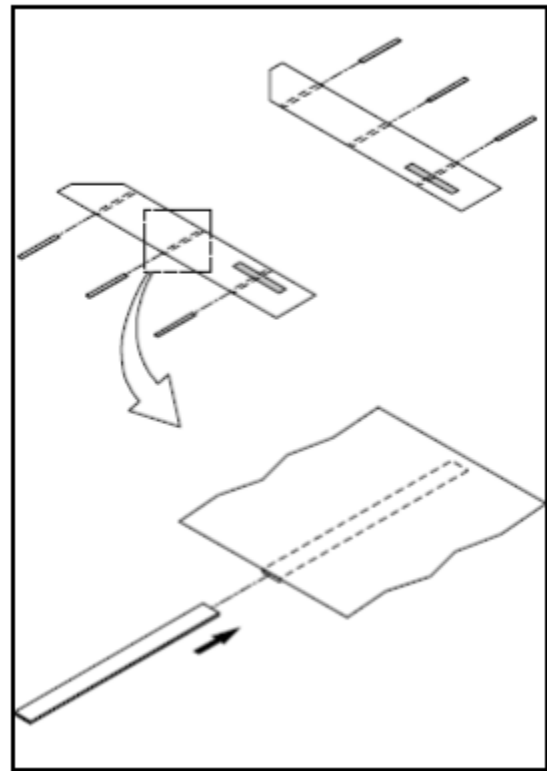
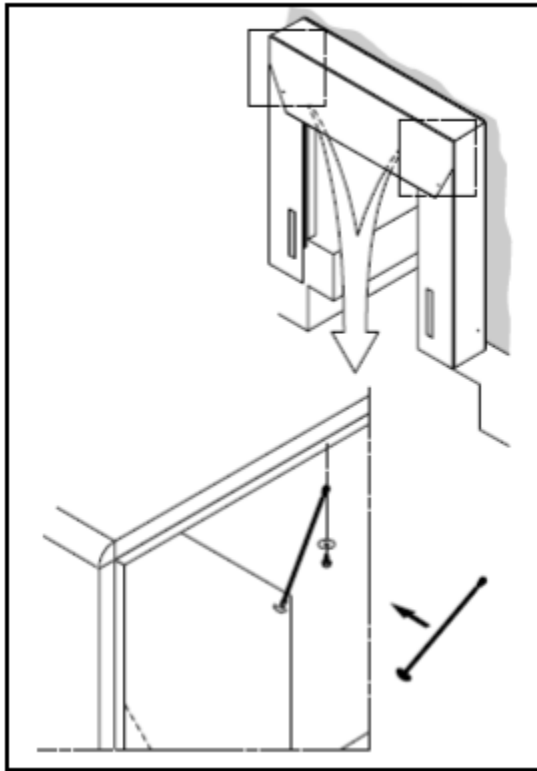


INSTALLATION SEQUENCE GROUND ASSEMBLING



INSTALLATION SEQUENCE

GROUND ASSEMBLING



Hereinafter we list the assembling phases of the dock shelter, explained thanks to related pictures:

- 1) Proceed by assembling the rear frame with intermediate brackets



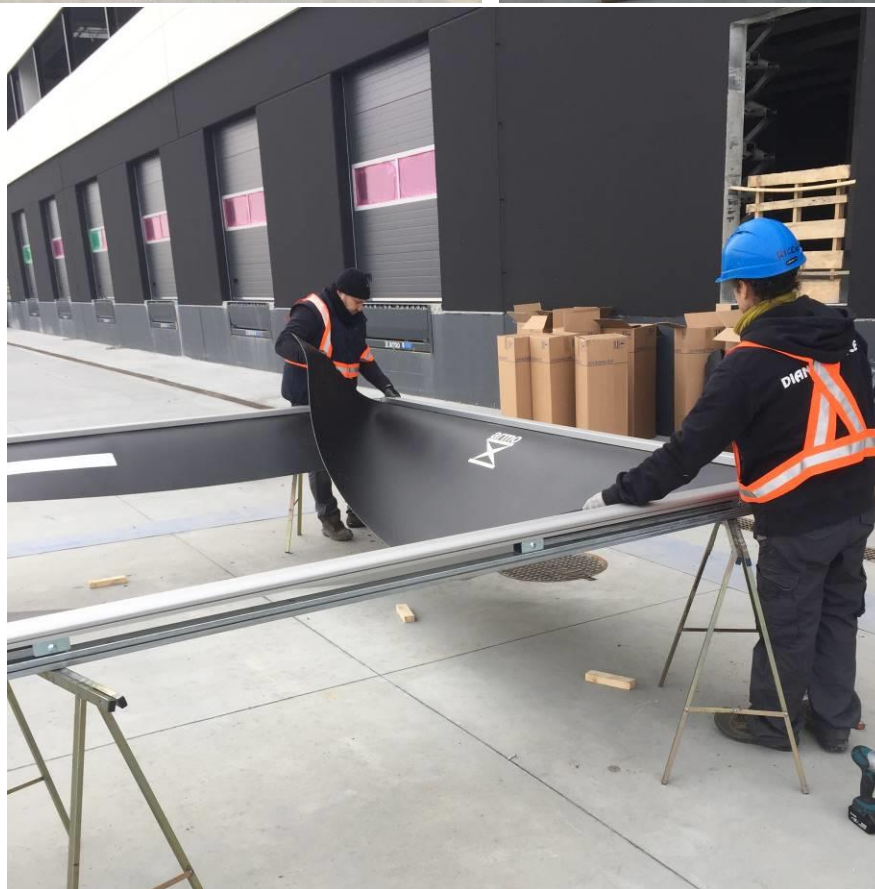
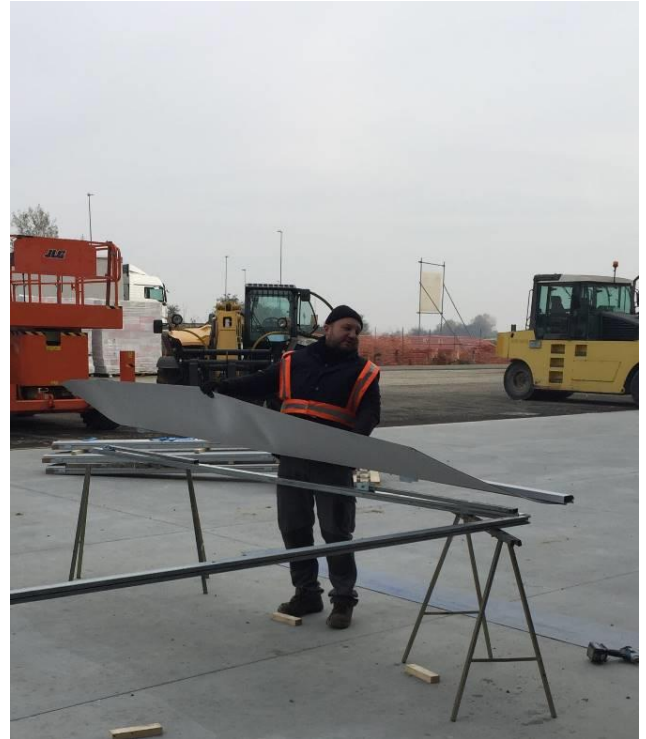
INSTALLATION SEQUENCE PICTURES

- 2) Assembling of the frontal and lateral rubber sheets by making them sliding into the suitable sections in the aluminium frontal structure



INSTALLATION SEQUENCE PICTURES

- 3) Assembling of the upper frontal rubber sheet, by making it sliding into the suitable section in the aluminium frontal structure. Combine then the frontal and the rear structures together.



15 – DT-3903



(+39)-011.71760.11



info@armoweb.com



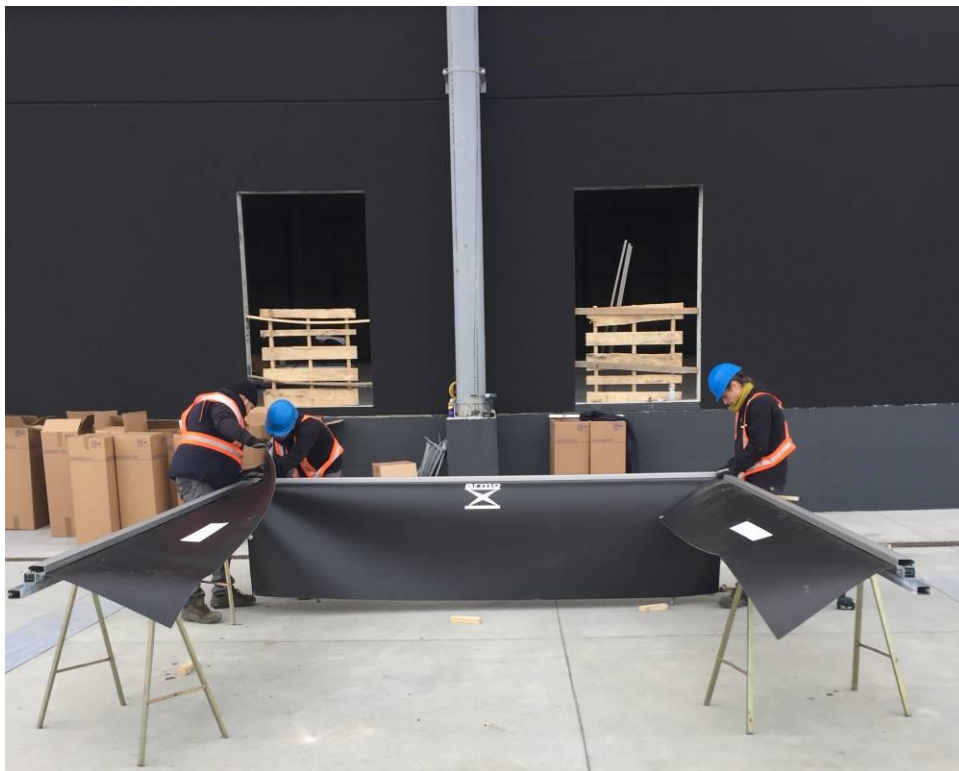
(+39)-011. 71760.19



<http://www.armoweb.com>

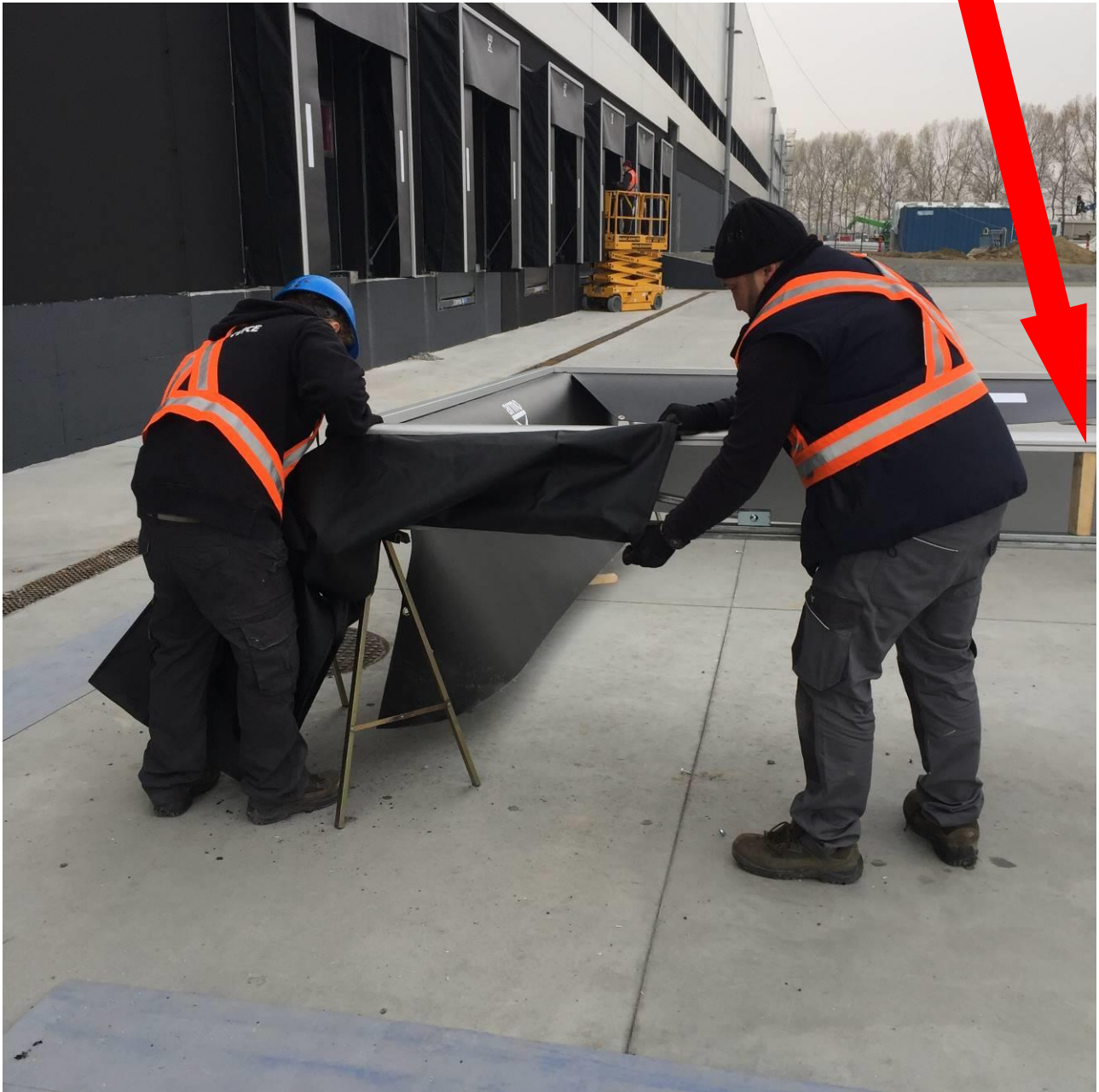
INSTALLATION SEQUENCE PICTURES

- 4) Connection between the lateral and upper aluminium frames; then fix the frontal frame to the rear one by employing the brackets.



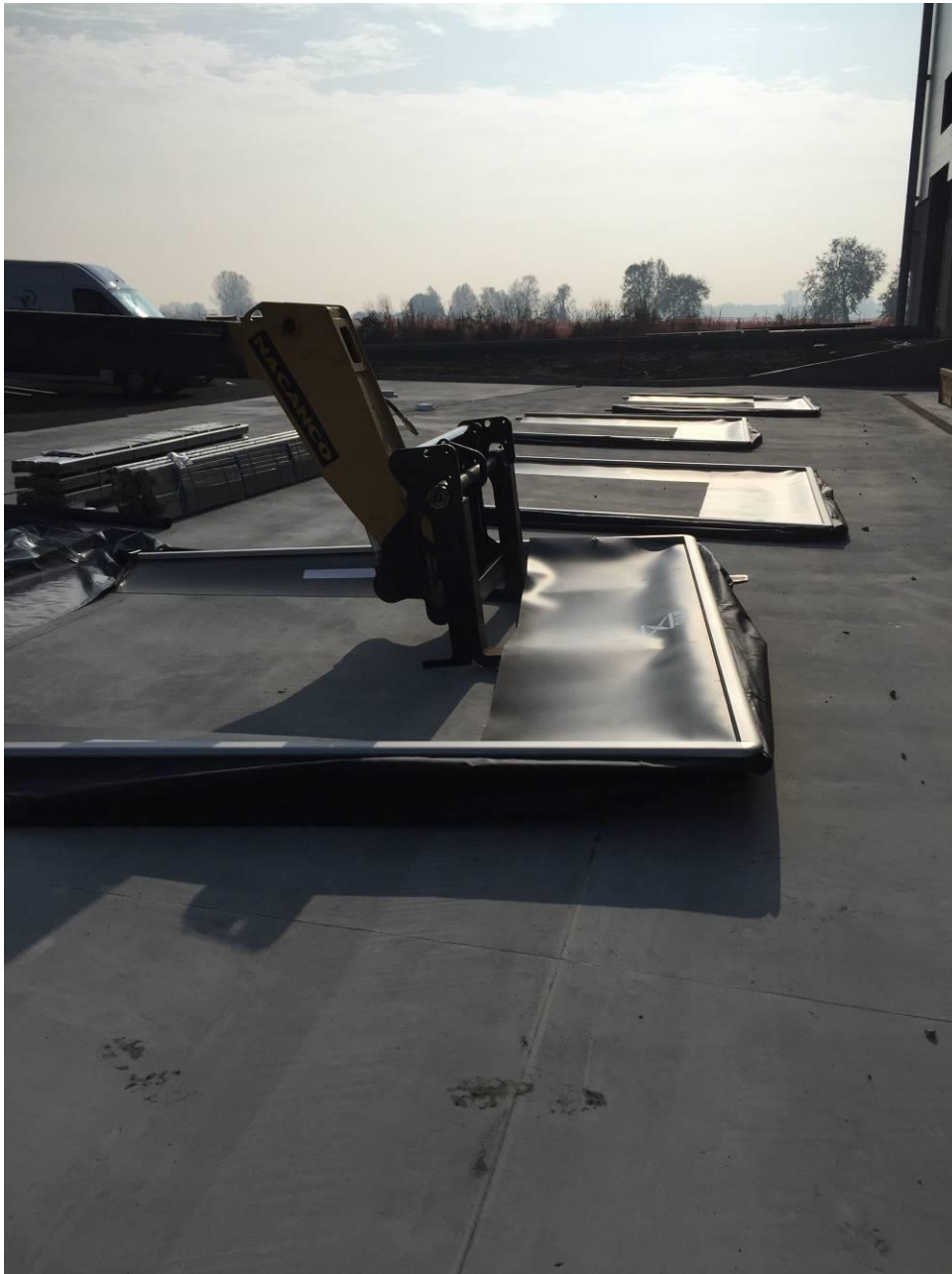
INSTALLATION SEQUENCE PICTURES

- 5) Insert the lateral and upper protections, using the “thickness” (not included in the supplying) in order to keep slightly opened the structure pantograph



INSTALLATION SEQUENCE PICTURES

- 6) Raising of the portal from the upper part and install it against the wall;



(+39)-011.71760.11



info@armoweb.com

18 – DT-3903

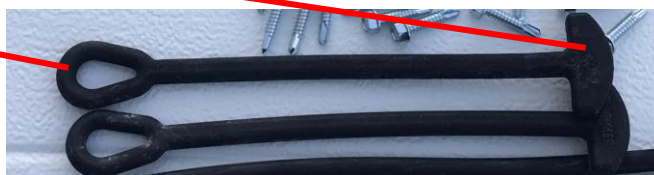


(+39)-011. 71760.19



<http://www.armoweb.com>

7) Flexible stretch mounting



INSTALLATION SEQUENCE PICTURES

8) Final result once the shelter is fixed to the wall.



9) Sealing of the whole perimeter with silicone where the rear profile of the shelter and the wall come into contact, in order to prevent possible infiltration of rainwater.



(+39)-011.71760.11



info@armoweb.com

20 – DT-3903



(+39)-011. 71760.19



<http://www.armoweb.com>



MAINTENANCE - DISPOSAL

MAINTENANCE

- Clean the PVC with neutral substances (for instance shampoo for cars) and rinse out.
- To fix possible wears with pvc patches and by employing an industrial blow dryer or a suitable glue.

DEMOLITION

- After disassembling the portal, it is required to share the single parts (padding, wood panel, pvc coating, steel frame), and proceed by a standard disposal of the metallic parts.

POISONOUS SUBSTANCES DISPOSAL

The poisonous substances, which compose the portal are:

- The PVC sheet
- Expanded polyurethane padding

These substances are disposable by the suitable authorized facilities, which take care to dispose and recycle these elements.

ARMO DECLINES ALL RESPONSIBILITY DUE TO A MISINTERPRETATION OF THE MANUAL, IMPROPER USE OR WRONG INSTALLATION OF THE PRODUCT. WARRANTY FALLS AUTOMATICALLY WHEN THE INSTALLATION OR THE USE OF THE PRODUCT DO NOT RESPECT THE PRESCRIPTION OF THIS BOOKLET.



(+39)-011.71760.11



info@armoweb.com

21 – DT-3903



(+39)-011. 71760.19



<http://www.armoweb.com>